



PE213T-7.5-4-AI

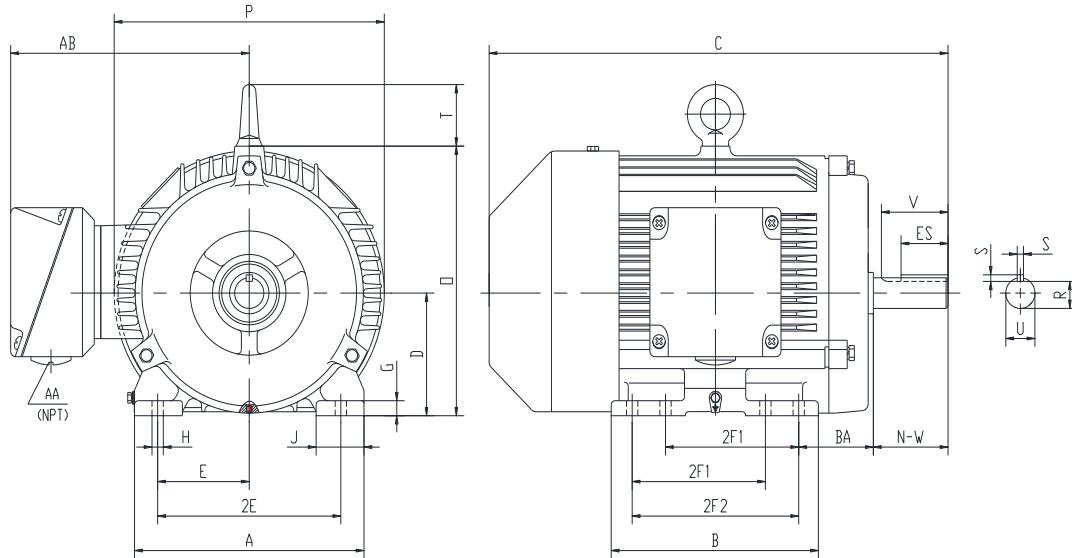
GENERAL PURPOSE ELECTRIC MOTOR

NEMA PREMIUM EFFICIENCY

TOTALLY ENCLOSED FAN COOLED

INVERTER DUTY 10:1 CT; 20:1 VT - NEMA MG1 PART 31

Factory Certified for T2B Class I, Division II, Groups A,B,C & D and Class II, Division II, Groups F & G



DIMENSIONS

HP	RPM	Frame	MOUNTING														
			A	B	C	D	G	H	J	E	2E	2F1	2F2	O	P	T	BA
7.5	1800	213T	10.5	9.37	20.7	5.25	0.7	0.41	2.16	4.25	8.5	5.5	7	11.37	11.7	1.73	3.5

Shaft Extension, Key Set						Conduit Box		Bearings		Mount
U	V	R	S	ES	N-W	AA	AB	DE	ODE	
1.375	3.12	1.201	0.312	2.41	3.38	1	9.8	6208-ZZ	6208-ZZ	F1

BEARING LUBRICATION: The bearings come lubricated with Mobil Polyrex EM Polyurea Grease.





PE213T-7.5-4-AI

GENERAL PURPOSE ELECTRIC MOTOR

NEMA PREMIUM EFFICIENCY

TOTALLY ENCLOSED FAN COOLED

INVERTER DUTY 10:1 CT; 20:1 VT - NEMA MG1 PART 31

Factory Certified for T2B Class I, Division II, Groups A,B,C & D and Class II, Division II, Groups F & G

PERFORMANCE DATA

HP	RPM	Frame	Voltage	Frequency (Hz)	Full Load S.F.	Insulation Class	NEMA Design	Slip (%)	NEMA Code	Enclosure Type	IP Rating	Max. Ambient
7.5	1750	213T	230/460	60	1.15	F	B	2.8	H	TEFC	55	40 °C

Amps (460V)		Efficiency (%)			Power Factor			Torque (ft-lb)			DE Bearing	ODE Bearing	Connection	Weight (lbs.)
FLA	LRA	100%	75%	50%	100%	75%	50%	FLT	LRT %	BDT %				
9	63	91.7	91.7	91.1	0.85	0.84	0.75	22.5	195	260	6208-ZZ	6208-ZZ	9 Lead 2Y/Y	189

**Usable at 208 Volts*

NAME PLATE

		AC INDUCTION MOTOR INVERTER DUTY 20:1 VT; 10:1 CT								CONNECTION DIAGRAMS		
CAT NO.		PE213T-7.5-4-AI				FRAME		213T		PHASE 3		
HZ	60	S.F.	1.15	HZ	50	S.F.	1.0	ENCL	TEFC	IP	55	230V
HP	7.5	RPM	1750	HP	7.5	RPM	1460	DUTY	CONT	DES	B	
VOLTS		230/460		VOLTS		190/380		AMB	40 °C	INS	F	
AMPS		18/9		AMPS		22/11		DE BRG		6208-ZZ		
CODE	H	P.F.	0.85	CODE	J	P.F.	0.85	ODE BRG		6208-ZZ		
EFF	91.7	MIN	90.2	EFF	91.0	MIN	89.5	LUB: Mobil Polyrex EM				
MOTOR WEIGHT	189	LBS		CONNECTION			9 Lead 2Y/Y			SER NO		
General purpose use on industrial machinery installed in damp, dusty or dirty environments. Hernando, Mississippi										CC113B 263262		
										460V 		

APPLICATIONS:

General purpose use on pumps, fans, blowers, compressors, conveyors, material handling and other industrial machinery installed in damp, dusty or dirty environments.