



PE213TC-7.5-4

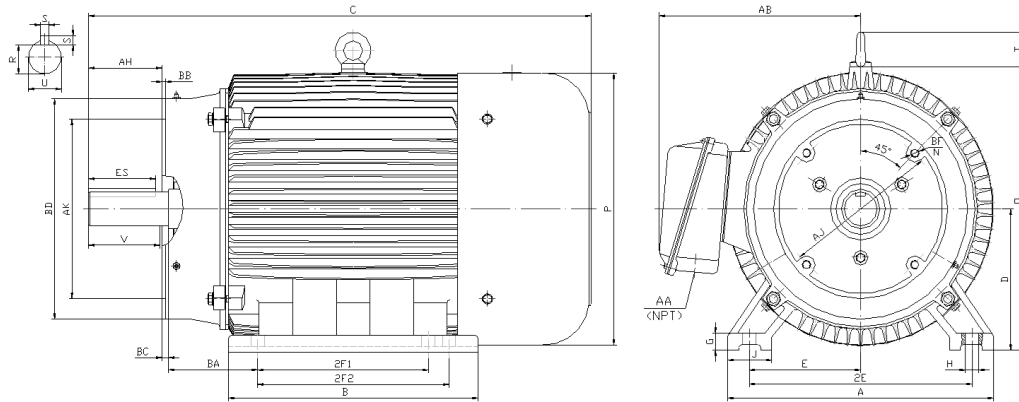
GENERAL PURPOSE ELECTRIC MOTOR

NEMA PREMIUM EFFICIENCY

TOTALLY ENCLOSED FAN COOLED - C-FLANGE WITH FEET

INVERTER DUTY 10:1 CT; 20:1 VT - NEMA MG1 PART 31

Factory Certified for T2B Class I, Division II, Groups A,B,C & D and Class II, Division II, Groups F & G



DIMENSIONS

HP	RPM	Frame	MOUNTING														
			A	B	C	D	G	H	J	E	2E	2F1	2F2	O	P	T	BA
7.5	1800	213TC	11	7.9	18.9	5.25	0.7	0.41	2.4	4.25	8.5	5.5	NA	10.5	10.2	1.9	3.5

FLANGE							Shaft Extension, Key Set						
AH	AJ	AK	BB	BC	BD	BF	U	V	R	S	ES	N-W	
3.12	7.25	8.5	0.25	0.25	9	4*1/2-13	1.375	3.12	1.201	0.312	2.41	NA	

Conduit Box		Bearings		Mount
AA	AB	DE	ODE	
1	8.3	6308-ZZ	6308-ZZ	

BEARING LUBRICATION: The bearings come lubricated with Mobil Polyrex EM Polyurea Grease.





PE213TC-7.5-4

GENERAL PURPOSE ELECTRIC MOTOR

NEMA PREMIUM EFFICIENCY

TOTALLY ENCLOSED FAN COOLED - C-FLANGE WITH FEET

INVERTER DUTY 10:1 CT; 20:1 VT - NEMA MG1 PART 31

Factory Certified for T2B Class I, Division II, Groups A,B,C & D and Class II, Division II, Groups F & G

PERFORMANCE DATA

HP	RPM	Frame	Voltage	Frequency (Hz)	Full Load S.F.	Insulation Class	NEMA Design	Slip (%)	NEMA Code	Enclosure Type	IP Rating	Max. Ambient
7.5	1770	213TC	208-230/460	60	1.15	F	B	1.7	H	TEFC	55	40 °C

Amps (460V)		Efficiency (%)			Power Factor			Torque (ft-lb)			DE Bearing	ODE Bearing	Connection	Weight (lbs.)
FLA	LRA	100%	75%	50%	100%	75%	50%	FLT	LRT %	BDT %				
9.2	63	91.7	91.7	90.0	0.80	0.74	0.63	22.51	180	280	6308-ZZ	6308-ZZ	9 Lead 2Y/Y	159

NAME PLATE

		AC INDUCTION MOTOR INVERTER DUTY 20:1 VT; 10:1 CT								CONNECTION DIAGRAMS		
CAT NO.		PE213TC-7.5-4				FRAME		213TC		PHASE 3		
HZ	60	S.F.	1.15	HZ	50	S.F.	1.0	ENCL	TEFC	IP	55	
HP	7.5	RPM	1770	HP	7.5	RPM	1465	DUTY	CONT	DES	B	
VOLTS 208-230/460		VOLTS 190/380		AMB 40 °C		INS		F				
AMPS 19.8 - 18.4 / 9.2		AMPS 23/11.5		DE BRG		6308-ZZ						
CODE	H	P.F.	0.80	CODE	G	P.F.	0.83	ODE BRG		6308-ZZ		
EFF	91.7	MIN	90.2	EFF	89.7	MIN	88.2	LUB: Mobil Polyrex EM				
MOTOR WEIGHT		159 LBS		CONNECTION			9 Lead 2Y/Y		SER NO			
General purpose use on industrial machinery installed in damp, dusty or dirty environments. Hernando, Mississippi										CC082A		

APPLICATIONS:

General purpose use on pumps, fans, blowers, compressors, conveyors, material handling and other industrial machinery installed in damp, dusty or dirty environments.