



## PE215JM-10-2

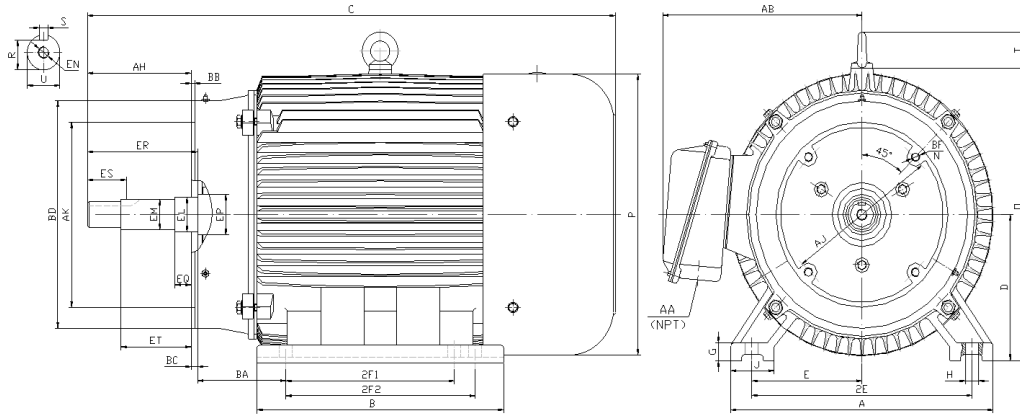
CLOSE COUPLED PUMP MOTORS

NEMA PREMIUM EFFICIENCY

TOTALLY ENCLOSED FAN COOLED, JM FRAME

INVERTER DUTY 10:1 CT; 20:1 VT - NEMA MG1 PART 31

Factory Certified for T2B Class I, Division II, Groups A,B,C & D and Class II, Division II, Groups F & G



### DIMENSIONS

HP	RPM	Frame	MOUNTING														
			A	B	C	D	G	H	J	E	2E	2F1	2F2	O	P	T	BA
10	3600	215JM	11	9.4	22.28	5.25	0.7	0.41	2.4	4.25	8.5	5.5	7	10.5	10.2	1.9	4.25

FLANGE							Shaft Extension, Key Set										
AH	AJ	AK	BB	BC	BD	BF	U	R	S	EQ	ER	ES	ET	EP	EL	EM	EN
4.281	7.25	8.500	0.312	0.25	9	4*1/2-13	0.8745	0.771	0.190	0.640	4.25	1.65	2.890	1.77	1.250	1.0000	3/8-16
4.219		8.497	0.250				0.8740	0.756	0.188	0.610			2.860		1.248	0.9995	

Conduit Box		Bearings		Mount
AA	AB	DE	ODE	
1	8.3	6309-ZZ	6308-ZZ	F1

**BEARING LUBRICATION:** The bearings come lubricated with Mobil Polyrex EM Polyurea Grease.





## PE215JM-10-2

CLOSE COUPLED PUMP MOTORS

NEMA PREMIUM EFFICIENCY

TOTALLY ENCLOSED FAN COOLED, JM FRAME

INVERTER DUTY 10:1 CT; 20:1 VT - NEMA MG1 PART 31

Factory Certified for T2B Class I, Division II, Groups A,B,C & D and Class II, Division II, Groups F & G

### PERFORMANCE DATA

HP	RPM	Frame	Voltage	Frequency (Hz)	Full Load S.F.	Insulation Class	NEMA Design	Slip (%)	NEMA Code	Enclosure Type	IP Rating	Max. Ambient
10	3525	215JM	208-230/460	60	1.15	F	B	2.1	H	TEFC	55	40 °C

Amps (460V)		Efficiency (%)			Power Factor			Torque (ft-lb)			DE Bearing	ODE Bearing	Connection	Weight (lbs.)
FLA	LRA	100%	75%	50%	100%	75%	50%	FLT	LRT %	BDT %	6309-ZZ	6308-ZZ	9 Lead 2Y/Y	166
11.4	81	90.2	89.0	86.0	0.92	0.89	0.83	14.9	160	290				

### NAME PLATE

		AC INDUCTION MOTOR INVERTER DUTY 20:1 VT; 10:1 CT								CONNECTION DIAGRAMS				
CAT NO.		PE215JM-10-2				FRAME		215JM		PHASE 3				
HZ	60	S.F.	1.15	HZ	50	S.F.	1.0	ENCL	TEFC	IP	55	208-230V 		
HP	10	RPM	3525	HP	10	RPM	2910	DUTY CONT	DES	B				
VOLTS		208-230/460				VOLTS		190/380		AMB	40 °C		INS	F
AMPS		23.9 - 22.8 / 11.4				AMPS		27.4/13.7		DE BRG	6309-ZZ			
CODE	H	P.F.	0.92	CODE	E	P.F.	0.93	ODE BRG	6308-ZZ					
EFF	90.2	MIN	88.5	EFF	88.2	MIN	86.5	LUB:	Mobil Polyrex EM					
MOTOR WEIGHT	166 LBS		CONNECTION			9 Lead 2Y/Y			SER NO					
General purpose use on industrial machinery installed in damp, dusty or dirty environments. Hernando, Mississippi										CC082A				
												460V 		

### APPLICATIONS:

Specifically designed for use on industrial and commercial pumping units.