



PE215JP-15-2

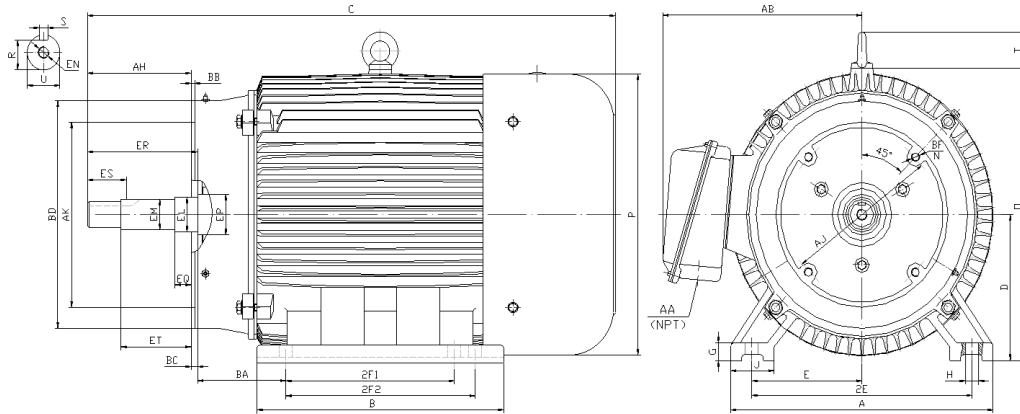
CLOSE COUPLED PUMP MOTORS

NEMA PREMIUM EFFICIENCY

TOTALLY ENCLOSED FAN COOLED, JP FRAME

INVERTER DUTY 10:1 CT; 20:1 VT - NEMA MG1 PART 31

Factory Certified for T2B Class I, Division II, Groups A,B,C & D and Class II, Division II, Groups F & G



DIMENSIONS

HP	RPM	Frame	MOUNTING														
			A	B	C	D	G	H	J	E	2E	2F1	2F2	O	P	T	BA
15	3600	215JP	11	9.4	26.15	5.25	0.7	0.41	2.4	4.25	8.5	5.5	7	10.5	10.2	1.9	4.25

FLANGE							Shaft Extension, Key Set										
AH	AJ	AK	BB	BC	BD	BF	U	R	S	EQ	ER	ES	ET	EP	EL	EM	EN
8.156	7.25	8.500	0.312	0.25	9	4*1/2-13	1.2495	1.112	0.252	2.390	8.125	2.53	5.890	1.77	1.750	1.3750	1/2-13
8.094		8.497	0.250				1.2490	1.097	0.250	2.360			5.860		1.748	1.3745	

Conduit Box		Bearings		Mount
AA	AB	DE	ODE	
1	8.3	6309-ZZ	6308-ZZ	F1

BEARING LUBRICATION: The bearings come lubricated with Mobil Polyrex EM Polyurea Grease.





PE215JP-15-2

CLOSE COUPLED PUMP MOTORS

NEMA PREMIUM EFFICIENCY

TOTALLY ENCLOSED FAN COOLED, JP FRAME

INVERTER DUTY 10:1 CT; 20:1 VT - NEMA MG1 PART 31

Factory Certified for T2B Class I, Division II, Groups A,B,C & D and Class II, Division II, Groups F & G

PERFORMANCE DATA

HP	RPM	Frame	Voltage	Frequency (Hz)	Full Load S.F.	Insulation Class	NEMA Design	Slip (%)	NEMA Code	Enclosure Type	IP Rating	Max. Ambient
15	3510	215JP	208-230/460	60	1.15	F	B	2.5	G	TEFC	55	40 °C

Amps (460V)		Efficiency (%)			Power Factor			Torque (ft-lb)			DE Bearing	ODE Bearing	Connection	Weight (lbs.)
FLA	LRA	100%	75%	50%	100%	75%	50%	FLT	LRT %	BDT %				
17.5	116	91.0	91.0	90.5	0.91	0.89	0.83	22.4	170	280	6309-ZZ	6308-ZZ	9 Lead 2Y/Y	189

NAME PLATE

		AC INDUCTION MOTOR INVERTER DUTY 20:1 VT; 10:1 CT								CONNECTION DIAGRAMS		
CAT NO.		PE215JP-15-2				FRAME		215JP		PHASE 3		
HZ	60	S.F.	1.15	HZ	50	S.F.	1.0	ENCL	TEFC	IP	55	
HP	15	RPM	3510	HP	15	RPM	2890	DUTY CONT	DES	B		
VOLTS	208-230/460		VOLTS	190/380		AMB	40 °C		INS	F		
AMPS	37 - 35 / 17.5		AMPS	42/21		DE BRG	6309-ZZ					
CODE	G	P.F.	0.91	CODE	E	P.F.	0.92	ODE BRG	6308-ZZ			
EFF	91.0	MIN	89.5	EFF	89.0	MIN	87.5	LUB:	Mobil Polyrex EM			
MOTOR WEIGHT	189	LBS	CONNECTION		9 Lead 2Y/Y		SER NO					
General purpose use on industrial machinery installed in damp, dusty or dirty environments. Hernando, Mississippi								CC082A				

APPLICATIONS:

Specifically designed for use on industrial and commercial pumping units.