



PE215T-10-2-A2

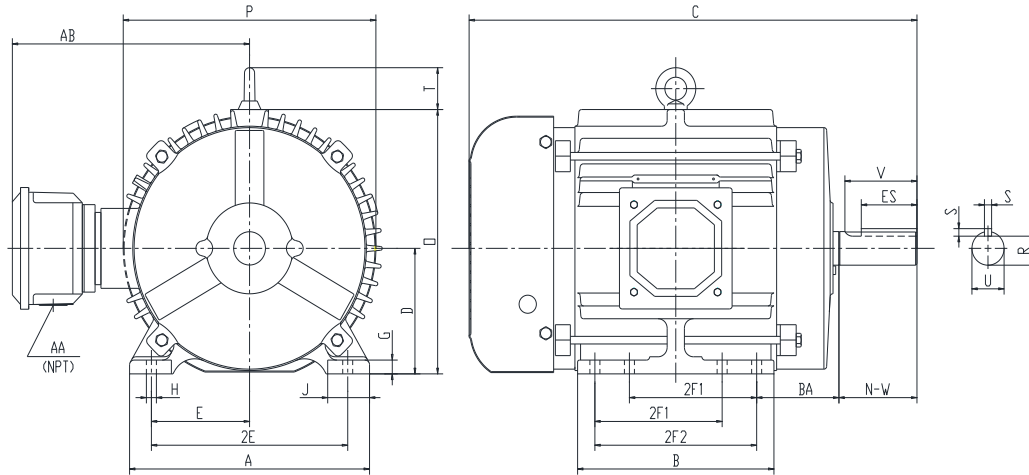
GENERAL PURPOSE ELECTRIC MOTOR

NEMA PREMIUM EFFICIENCY

TOTALLY ENCLOSED FAN COOLED

INVERTER DUTY 10:1 CT; 20:1 VT - NEMA MG1 PART 31

Factory Certified for T2B Class I, Division II, Groups A,B,C & D and Class II, Division II, Groups F & G



DIMENSIONS

HP	RPM	Frame	MOUNTING														
			A	B	C	D	G	H	J	E	2E	2F1	2F2	O	P	T	BA
10	3600	215T	10.4	8.5	19.4	5.25	0.6	0.41	1.8	4.25	8.5	5.5	7	11	11.8	1.7	3.5

Shaft Extension, Key Set						Conduit Box		Bearings		Mount
U	V	R	S	ES	N-W	AA	AB	DE	ODE	
1.375	3.12	1.201	0.312	2.41	3.38	1	10.3	6308-ZZ	6308-ZZ	F1

BEARING LUBRICATION: The bearings come lubricated with Mobil Polyrex EM Polyurea Grease.





PE215T-10-2-A2

GENERAL PURPOSE ELECTRIC MOTOR

NEMA PREMIUM EFFICIENCY

TOTALLY ENCLOSED FAN COOLED

INVERTER DUTY 10:1 CT; 20:1 VT - NEMA MG1 PART 31

Factory Certified for T2B Class I, Division II, Groups A,B,C & D and Class II, Division II, Groups F & G

PERFORMANCE DATA

HP	RPM	Frame	Voltage	Frequency (Hz)	Full Load S.F.	Insulation Class	NEMA Design	Slip (%)	NEMA Code	Enclosure Type	IP Rating	Max. Ambient
10	3520	215T	230/460	60	1.15	F	B	2.2	G	TEFC	55	40 °C

Amps (460V)		Efficiency (%)			Power Factor			Torque (ft-lb)			DE Bearing	ODE Bearing	Connection	Weight (lbs.)
FLA	LRA	100%	75%	50%	100%	75%	50%	FLT	LRT %	BDT %				
11.6	81	90.2	92.1	91.9	0.90	0.86	0.78	15	190	310	6308-ZZ	6308-ZZ	9 Lead 2Y/Y	172

**Usable at 208 Volts*

NAME PLATE

		AC INDUCTION MOTOR INVERTER DUTY 20:1 VT; 10:1 CT								CONNECTION DIAGRAMS		
CAT NO. PE215T-10-2-A2		FRAME 215T		PHASE 3		230V						
HZ 60	S.F. 1.15	HZ 50	S.F. 1.0	ENCL TEFC	IP 55	T4 T5 T6						
HP 10	RPM 3520	HP 10	RPM 2910	DUTY CONT	DES B	T7 T8 T9						
VOLTS 230/460		VOLTS 190/380		AMB 40 °C	INS F	T1 T2 T3						
AMPS 23.2 / 11.6		AMPS 28/14		DE BRG 6308-ZZ		L1 L2 L3						
CODE G	P.F. 0.90	CODE E	P.F. 0.91	ODE BRG 6308-ZZ				460V				
EFF 90.2	MIN 88.5	EFF 88.2	MIN 86.5	LUB: Mobil Polyrex EM		T4 T5 T6						
MOTOR WEIGHT 172 LBS	CONNECTION 9 Lead 2Y/Y		SER NO				T7 T8 T9					
General purpose use on industrial machinery installed in damp, dusty or dirty environments. Hernando, Mississippi								CC082A		T1 T2 T3 L1 L2 L3		

APPLICATIONS:

General purpose use on pumps, fans, blowers, compressors, conveyors, material handling and other industrial machinery installed in damp, dusty or dirty environments.