



PE215T-5-6-AI

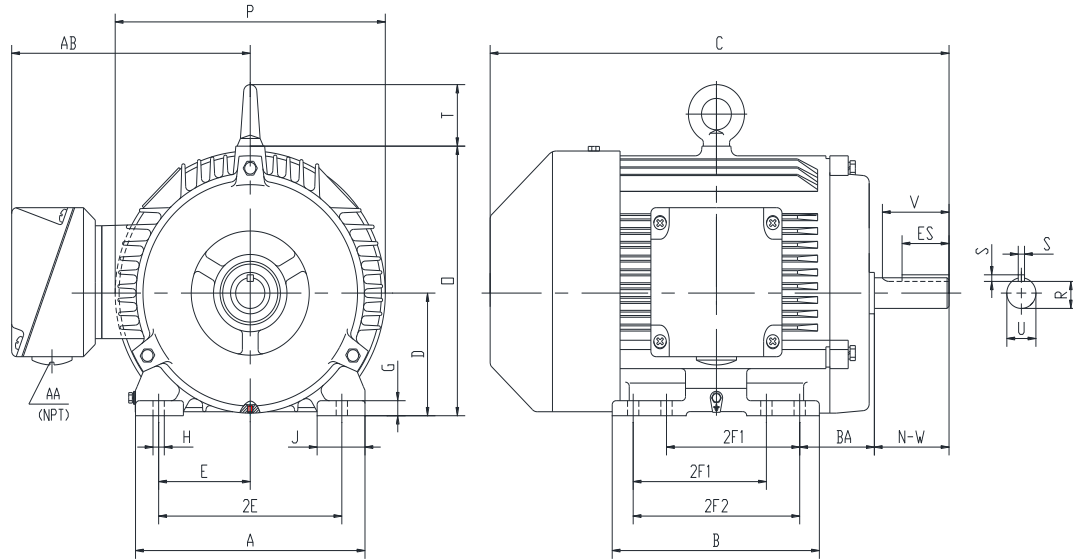
GENERAL PURPOSE ELECTRIC MOTOR

NEMA PREMIUM EFFICIENCY

TOTALLY ENCLOSED FAN COOLED

INVERTER DUTY 10:1 CT; 20:1 VT - NEMA MG1 PART 31

Factory Certified for T2B Class I, Division II, Groups A,B,C & D and Class II, Division II, Groups F & G



DIMENSIONS

HP	RPM	Frame	MOUNTING														
			A	B	C	D	G	H	J	E	2E	2F1	2F2	O	P	T	BA
5	1200	215T	10.5	9.37	20.7	5.25	0.7	0.41	2.16	4.25	8.5	5.5	7	11.37	11.7	1.73	3.5

Shaft Extension, Key Set						Conduit Box		Bearings		Mount
U	V	R	S	ES	N-W	AA	AB	DE	ODE	
1.375	3.12	1.201	0.312	2.41	3.38	1	9.8	6208-ZZ	6208-ZZ	F1

BEARING LUBRICATION: The bearings come lubricated with Mobil Polyrex EM Polyurea Grease.





PE215T-5-6-AI

GENERAL PURPOSE ELECTRIC MOTOR

NEMA PREMIUM EFFICIENCY

TOTALLY ENCLOSED FAN COOLED

INVERTER DUTY 10:1 CT; 20:1 VT - NEMA MG1 PART 31

Factory Certified for T2B Class I, Division II, Groups A,B,C & D and Class II, Division II, Groups F & G

PERFORMANCE DATA

HP	RPM	Frame	Voltage	Frequency (Hz)	Full Load S.F.	Insulation Class	NEMA Design	Slip (%)	NEMA Code	Enclosure Type	IP Rating	Max. Ambient
5	1170	215T	230/460	60	1.15	F	B	2.5	J	TEFC	55	40 °C

Amps (460V)		Efficiency (%)			Power Factor			Torque (ft-lb)			DE Bearing	ODE Bearing	Connection	Weight (lbs.)
FLA	LRA	100%	75%	50%	100%	75%	50%	FLT	LRT %	BDT %				
6.7	46	89.5	89.8	88.9	0.79	0.74	0.62	22.5	200	250	6208-ZZ	6208-ZZ	9 Lead 2Y/Y	187

*Usable at 208 Volts

NAME PLATE

		AC INDUCTION MOTOR INVERTER DUTY 20:1 VT; 10:1 CT								CONNECTION DIAGRAMS		
CAT NO.		PE215T-5-6-AI				FRAME		215T		PHASE 3		
HZ	60	S.F.	1.15	HZ	50	S.F.	1.0	ENCL	TEFC	IP	55	230V
HP	5	RPM	1170	HP	5	RPM	970	DUTY	CONT	DES	B	
VOLTS	230/460		VOLTS	190/380		AMB	40 °C	INS	F			
AMPS	13.4/6.7		AMPS	16/8		DE BRG	6208-ZZ					460V
CODE	J	P.F.	0.79	CODE	K	P.F.	0.79	ODE BRG	6208-ZZ			
EFF	89.5	MIN	87.5	EFF	88.5	MIN	86.5	LUB:	Mobil Polyrex EM			
MOTOR WEIGHT	187	LBS	CONNECTION		9 Lead 2Y/Y			SER NO				
General purpose use on industrial machinery installed in damp, dusty or dirty environments. Hernando, Mississippi								CC113B 263262				

APPLICATIONS:

General purpose use on pumps, fans, blowers, compressors, conveyors, material handling and other industrial machinery installed in damp, dusty or dirty environments.