



## PE215TC-10-2

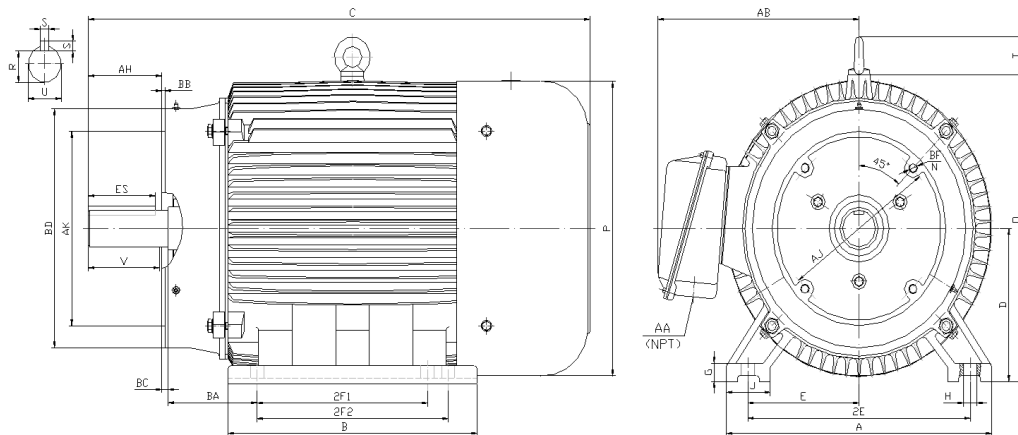
GENERAL PURPOSE ELECTRIC MOTOR

NEMA PREMIUM EFFICIENCY

TOTALLY ENCLOSED FAN COOLED - C-FLANGE WITH FEET

INVERTER DUTY 10:1 CT; 20:1 VT - NEMA MG1 PART 31

Factory Certified for T2B Class I, Division II, Groups A,B,C & D and Class II, Division II, Groups F & G



### DIMENSIONS

HP	RPM	Frame	MOUNTING														
			A	B	C	D	G	H	J	E	2E	2F1	2F2	O	P	T	BA
10	3600	215TC	11	9.4	20.4	5.25	0.7	0.41	2.4	4.25	8.5	5.5	7	10.5	10.2	1.9	3.5

FLANGE							Shaft Extension, Key Set					
AH	AJ	AK	BB	BC	BD	BF	U	V	R	S	ES	N-W
3.12	7.25	8.5	0.25	0.25	9	4*1/2-13	1.375	3.12	1.201	0.312	2.41	NA

Conduit Box		Bearings		Mount
AA	AB	DE	ODE	
1	8.3	6308-ZZ	6308ZZ	F1

**BEARING LUBRICATION:** The bearings come lubricated with Mobil Polyrex EM Polyurea Grease.





## PE215TC-10-2

**GENERAL PURPOSE ELECTRIC MOTOR**

**NEMA PREMIUM EFFICIENCY**

**TOTALLY ENCLOSED FAN COOLED - C-FLANGE WITH FEET**

**INVERTER DUTY 10:1 CT; 20:1 VT - NEMA MG1 PART 31**

**Factory Certified for T2B Class I, Division II, Groups A,B,C & D and Class II, Division II, Groups F & G**

### PERFORMANCE DATA

HP	RPM	Frame	Voltage	Frequency (Hz)	Full Load S.F.	Insulation Class	NEMA Design	Slip (%)	NEMA Code	Enclosure Type	IP Rating	Max. Ambient
10	3525	215TC	230/460	60	1.15	F	B	2.1	H	TEFC	55	40 °C

Amps (460V)		Efficiency (%)			Power Factor			Torque (ft-lb)			DE Bearing	ODE Bearing	Connection	Weight (lbs.)
FLA	LRA	100%	75%	50%	100%	75%	50%	FLT	LRT %	BDT %				
11.4	81	90.2	89.0	86.0	0.92	0.89	0.83	14.9	160	290	6308-ZZ	6308-ZZ	9 Lead 2Y/Y	163

*\*Usable at 208 Volts*

### NAME PLATE

		AC INDUCTION MOTOR INVERTER DUTY 20:1 VT; 10:1 CT								CONNECTION DIAGRAMS			
CAT NO.		PE215TC-10-2				FRAME		215TC		PHASE 3			
HZ 60		S.F. 1.15		HZ 50		S.F. 1.0		ENCL TEFC		IP 55			
HP 10		RPM 3525		HP 10		RPM 2910		DUTY CONT		DES B			
VOLTS 230/460		VOLTS 190/380		AMB 40 °C		INS F							
AMPS 22.8 / 11.4		AMPS 27.4/13.7		DE BRG		6308-ZZ			230V 				
CODE H		P.F. 0.92		CODE E		P.F. 0.93		ODE BRG		6308-ZZ			
EFF 90.2		MIN 88.5		EFF 88.2		MIN 86.5		LUB: Mobil Polyrex EM			460V 		
MOTOR WEIGHT 163 LBS		CONNECTION 9 Lead 2Y/Y		SER NO									
General purpose use on industrial machinery installed in damp, dusty or dirty environments. Hernando, Mississippi										CC082A			

### APPLICATIONS:

General purpose use on pumps, fans, blowers, compressors, conveyors, material handling and other industrial machinery installed in damp, dusty or dirty environments.