



## PE215TC-10-4-AI

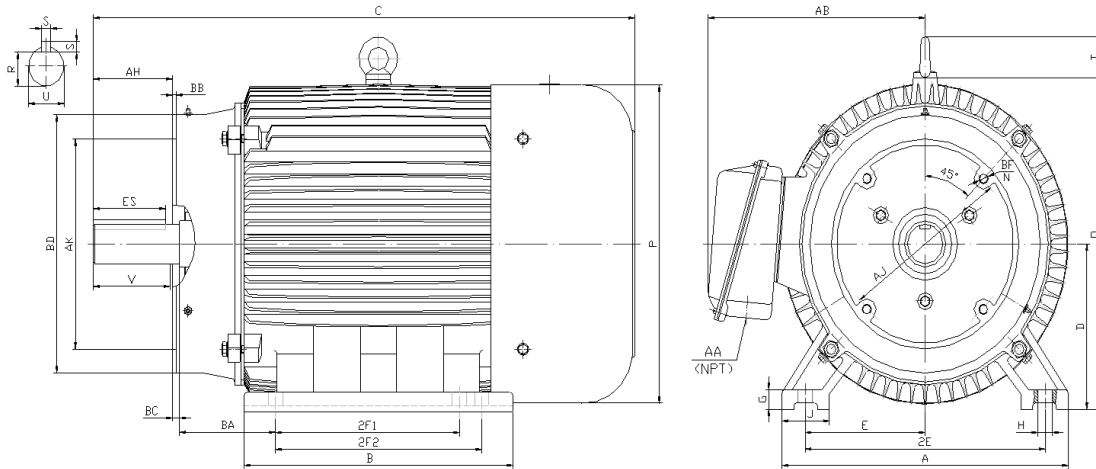
GENERAL PURPOSE ELECTRIC MOTOR

NEMA PREMIUM EFFICIENCY

THREE PHASE, TOTALLY ENCLOSED FAN COOLED - C-FLANGE W/ FEET

INVERTER DUTY 10:1 CT; 20:1 VT - NEMA MG1 PART 31

Factory Certified for T2B Class I, Division II, Groups A,B,C & D and Class II, Division II, Groups F & G



### DIMENSIONS

| HP | RPM  | Frame | MOUNTING |      |       |      |      |      |      |      |      |      |      |       |       |      |      |
|----|------|-------|----------|------|-------|------|------|------|------|------|------|------|------|-------|-------|------|------|
|    |      |       | A        | B    | C     | D    | G    | H    | J    | E    | 2E   | 2F1  | 2F2  | O     | P     | T    | BA   |
| 10 | 1770 | 215TC | 10.50    | 9.37 | 20.70 | 5.25 | 0.70 | 0.41 | 2.16 | 4.25 | 8.50 | 5.50 | 7.00 | 11.37 | 11.70 | 1.73 | 3.50 |

| FLANGE |       |      |      |      |      |          | Shaft Extension, Key Set |      |       |       |      |      | Conduit Box |      | Bearings |         | Mount |
|--------|-------|------|------|------|------|----------|--------------------------|------|-------|-------|------|------|-------------|------|----------|---------|-------|
| AH     | AJ    | AK   | BB   | BC   | BD   | BF       | U                        | V    | R     | S     | ES   | N-W  | AA          | AB   | DE       | ODE     |       |
| 3.12   | 7.250 | 8.50 | 0.25 | 0.25 | 9.00 | 4*1/2-13 | 1.375                    | 3.12 | 1.201 | 0.312 | 2.41 | 3.38 | 1.00        | 9.80 | 6208-ZZ  | 6208-ZZ | F1    |

**BEARING LUBRICATION:** The bearings come lubricated with Mobil Polyrex EM Polyurea Grease.





## PE215TC-10-4-AI

**GENERAL PURPOSE ELECTRIC MOTOR**

**NEMA PREMIUM EFFICIENCY**

**THREE PHASE, TOTALLY ENCLOSED FAN COOLED - C-FLANGE W/ FEET**

**INVERTER DUTY 10:1 CT; 20:1 VT - NEMA MG1 PART 31**

Factory Certified for T2B Class I, Division II, Groups A,B,C & D and Class II, Division II, Groups F & G

### PERFORMANCE DATA

| HP | RPM  | Frame | Voltage | Frequency (Hz) | Full Load S.F. | Insulation Class | NEMA Design | Slip (%) | NEMA Code | Enclosure Type | IP Rating | Max. Ambient |
|----|------|-------|---------|----------------|----------------|------------------|-------------|----------|-----------|----------------|-----------|--------------|
| 10 | 1750 | 215TC | 230/460 | 60             | 1.15           | F                | B           | 1.1      | H         | TEFC           | 55        | 40° C        |

| Amps (460V) |      | Efficiency (%) |      |      |      | Power Factor |       |       | Torque (ft-lb) |       |       | DE Bearing | ODE Bearing | Connection  | Weight (lbs.) |
|-------------|------|----------------|------|------|------|--------------|-------|-------|----------------|-------|-------|------------|-------------|-------------|---------------|
| FLA         | LRA  | 100%           | 75%  | 50%  | Min. | 100%         | 75%   | 50%   | FLT            | LRT % | BDT % |            |             |             |               |
| 12.0        | 81.0 | 91.7           | 91.8 | 91.5 | 90.2 | 0.860        | 0.870 | 0.800 | 30.0           | 190   | 250   | 6208-ZZ    | 6208-ZZ     | 9 Lead 2Y/Y | 196           |

\*Usable at 208 Volts

### NAME PLATE

|  |                        |  |           |                       |       |  |  |                     |  |
|--|------------------------|--|-----------|-----------------------|-------|--|--|---------------------|--|
|  |                        | AC INDUCTION MOTOR<br>INVERTER DUTY 20:1 VT; 10:1 CT |           |                       |       |  |  | CONNECTION DIAGRAMS |  |
| CAT NO: PE215TC-10-4-AI  |                        | FRAME 215TC  |           | PHASE 3               |       |  |  |                     |  |
| HZ 60  | S.F. 1.15              | HZ 50  | S.F. 1.0  | ENCL TEFC             | IP 55 |  |  |                     |  |
| HP 10  | RPM 1750               | HP 10  | RPM 1460  | DUTY CONT             | DES B |  |  |                     |  |
| VOLTS 230/460  |                        | VOLTS 190/380  |           | AMB 40° C             | INS F |  |  |                     |  |
| FLA 24 / 12  | FLA 29.8/14.9          | DE BEARING 6208-ZZ                                   |           |                       |       |  |  |                     |  |
| CODE H   | P.F. 0.86              | CODE H   | P.F. 0.86 | ODE BEARING 6208-ZZ   |       |  |  |                     |  |
| EFF 91.7   | MIN 90.2               | EFF 91.0   | MIN 89.5  | LUB: Mobil Polyrex EM |       |  |  |                     |  |
| MOTOR WEIGHT 196 LBS   | CONNECTION 9 Lead 2Y/Y |  | SER NO    |                       |       |  |  |                     |  |
| General purpose use on industrial machinery installed in damp, dusty or dirty environments.<br>Hernando, Mississippi |                        |  |           |                       |       |  |  |                     |  |

### APPLICATIONS:

General purpose use on pumps, fans, blowers, compressors, conveyors, material handling and other industrial machinery installed in damp, dusty or dirty environments.