



PE215TC-10-4-RB-AI

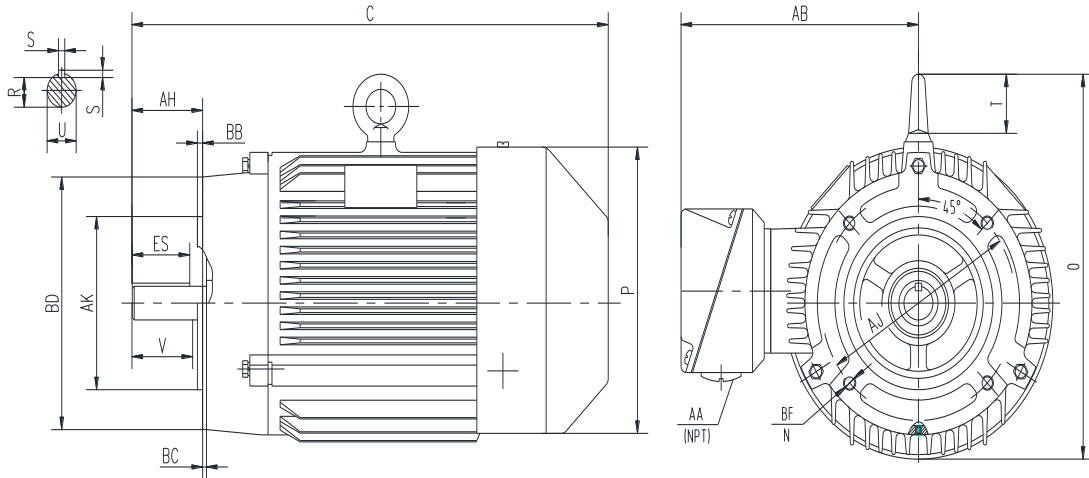
GENERAL PURPOSE ELECTRIC MOTOR

NEMA PREMIUM EFFICIENCY

THREE PHASE, TOTALLY ENCLOSED FAN COOLED - C-FLANGE

INVERTER DUTY 10:1 CT; 20:1 VT - NEMA MG1 PART 31

Factory Certified for T2B Class I, Division II, Groups A,B,C & D and Class II, Division II, Groups F & G



DIMENSIONS

HP	RPM	Frame	MOUNTING														
			A	B	C	D	G	H	J	E	2E	2F1	2F2	O	P	T	BA
10	1800	215TC	NA	NA	20.70	NA	NA	NA	NA	NA	NA	NA	NA	NA	11.70	1.73	NA

FLANGE							Shaft Extension, Key Set						Conduit Box		Bearings		Mount
AH	AJ	AK	BB	BC	BD	BF	U	V	R	S	ES	N-W	AA	AB	DE	ODE	
3.12	7.250	8.50	0.25	0.25	9.00	4*1/2-13	1.375	3.12	1.201	0.312	2.41	3.38	1.00	9.80	6208-ZZ	6208-ZZ	F1

BEARING LUBRICATION: The bearings come lubricated with Mobil Polyrex EM Polyurea Grease.





PE215TC-10-4-RB-AI

GENERAL PURPOSE ELECTRIC MOTOR

NEMA PREMIUM EFFICIENCY

THREE PHASE, TOTALLY ENCLOSED FAN COOLED - C-FLANGE

INVERTER DUTY 10:1 CT; 20:1 VT - NEMA MG1 PART 31

Factory Certified for T2B Class I, Division II, Groups A,B,C & D and Class II, Division II, Groups F & G

PERFORMANCE DATA

HP	RPM	Frame	Voltage	Frequency (Hz)	Full Load S.F.	Insulation Class	NEMA Design	Slip (%)	NEMA Code	Enclosure Type	IP Rating	Max. Ambient
10	1750	215TC	230/460	60	1.15	F	B	1.1	H	TEFC	55	40° C

Amps (460V)		Efficiency (%)				Power Factor			Torque (ft-lb)			DE Bearing	ODE Bearing	Connection	Weight (lbs.)
FLA	LRA	100%	75%	50%	Min.	100%	75%	50%	FLT	LRT %	BDT %				
12.0	81.0	91.7	91.8	91.5	90.2	0.860	0.870	0.800	30.0	190	250	6208-ZZ	6208-ZZ	9 Lead 2Y/Y	196

*Usable at 208 Volts

NAME PLATE

		AC INDUCTION MOTOR INVERTER DUTY 20:1 VT; 10:1 CT						CONNECTION DIAGRAMS	
CAT NO: PE215TC-10-4-RB-AI		FRAME 215TC		PHASE 3					
HZ 60	S.F. 1.15	HZ 50	S.F. 1.0	ENCL TEFC	IP 55				
HP 10	RPM 1750	HP 10	RPM 1460	DUTY CONT	DES B				
VOLTS 230/460		VOLTS 190/380		AMB 40° C	INS F				
FLA 24 / 12	FLA 29.8/14.9	DE BEARING 6208-ZZ							
CODE H	P.F. 0.86	CODE H	P.F. 0.86	ODE BEARING 6208-ZZ					
EFF 91.7	MIN 90.2	EFF 91.0	MIN 89.5	LUB: Mobil Polyrex EM					
MOTOR WEIGHT 196 LBS	CONNECTION 9 Lead 2Y/Y		SER NO						
General purpose use on industrial machinery installed in damp, dusty or dirty environments. Hernando, Mississippi									

APPLICATIONS:

General purpose use on pumps, fans, blowers, compressors, conveyors, material handling and other industrial machinery installed in damp, dusty or dirty environments.