



## PE215TC-10-4

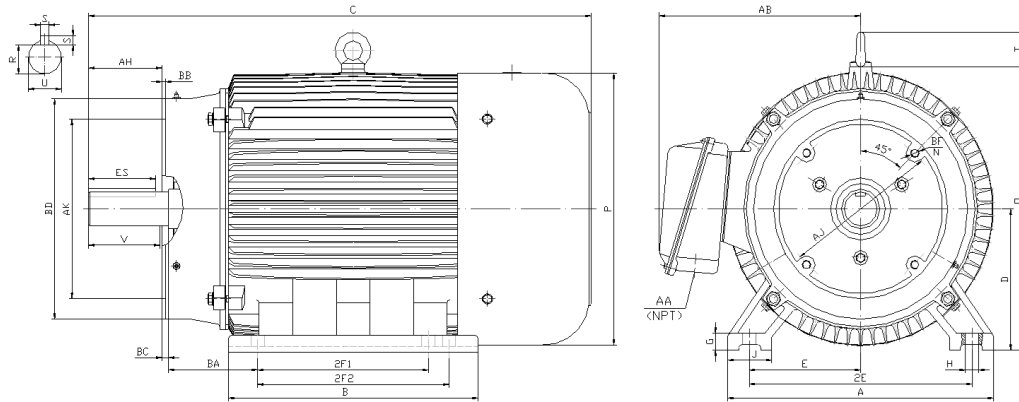
GENERAL PURPOSE ELECTRIC MOTOR

NEMA PREMIUM EFFICIENCY

TOTALLY ENCLOSED FAN COOLED - C-FLANGE WITH FEET

INVERTER DUTY 10:1 CT; 20:1 VT - NEMA MG1 PART 31

Factory Certified for T2B Class I, Division II, Groups A,B,C & D and Class II, Division II, Groups F & G



### DIMENSIONS

HP	RPM	Frame	MOUNTING														
			A	B	C	D	G	H	J	E	2E	2F1	2F2	O	P	T	BA
10	1800	215TC	11	9.4	20.4	5.25	0.7	0.41	2.4	4.25	8.5	5.5	7	10.5	10.2	1.9	3.5

FLANGE							Shaft Extension, Key Set						
AH	AJ	AK	BB	BC	BD	BF	U	V	R	S	ES	N-W	
3.12	7.25	8.5	0.25	0.25	9	4*1/2-13	1.375	3.12	1.201	0.312	2.41	NA	

Conduit Box		Bearings		Mount
AA	AB	DE	ODE	
1	8.3	6308-ZZ	6308ZZ	F1

**BEARING LUBRICATION:** The bearings come lubricated with Mobil Polyrex EM Polyurea Grease.





## PE215TC-10-4

**GENERAL PURPOSE ELECTRIC MOTOR**

**NEMA PREMIUM EFFICIENCY**

**TOTALLY ENCLOSED FAN COOLED - C-FLANGE WITH FEET**

**INVERTER DUTY 10:1 CT; 20:1 VT - NEMA MG1 PART 31**

**Factory Certified for T2B Class I, Division II, Groups A,B,C & D and Class II, Division II, Groups F & G**

### PERFORMANCE DATA

HP	RPM	Frame	Voltage	Frequency (Hz)	Full Load S.F.	Insulation Class	NEMA Design	Slip (%)	NEMA Code	Enclosure Type	IP Rating	Max. Ambient
10	1770	215TC	208-230/460	60	1.15	F	B	1.7	H	TEFC	55	40 °C

Amps (460V)		Efficiency (%)			Power Factor			Torque (ft-lb)			DE Bearing	ODE Bearing	Connection	Weight (lbs.)
FLA	LRA	100%	75%	50%	100%	75%	50%	FLT	LRT %	BDT %				
12	81	91.7	91.8	90.0	0.81	0.77	0.67	30.02	170	280	6308-ZZ	6308-ZZ	9 Lead 2Y/Y	181

### NAME PLATE

		AC INDUCTION MOTOR INVERTER DUTY 20:1 VT; 10:1 CT								CONNECTION DIAGRAMS		
CAT NO.		PE215TC-10-4				FRAME		215TC		PHASE 3		
HZ	60	S.F.	1.15	HZ	50	S.F.	1.0	ENCL	TEFC	IP	55	
HP	10	RPM	1770	HP	10	RPM	1460	DUTY CONT	DES	B		
VOLTS	208-230/460		VOLTS	190/380		AMB	40 °C	INS	F			
AMPS	26 - 24 / 12		AMPS	30/15		DE BRG	6308-ZZ					
CODE	H	P.F.	0.81	CODE	F	P.F.	0.84	ODE BRG	6308-ZZ			
EFF	91.7	MIN	90.2	EFF	89.7	MIN	88.2	LUB:	Mobil Polyrex EM			
MOTOR WEIGHT	181 LBS		CONNECTION	9 Lead 2Y/Y			SER NO					
General purpose use on industrial machinery installed in damp, dusty or dirty environments. Hernando, Mississippi									CC082A			

### APPLICATIONS:

General purpose use on pumps, fans, blowers, compressors, conveyors, material handling and other industrial machinery installed in damp, dusty or dirty environments.