



PE215TC-5-6

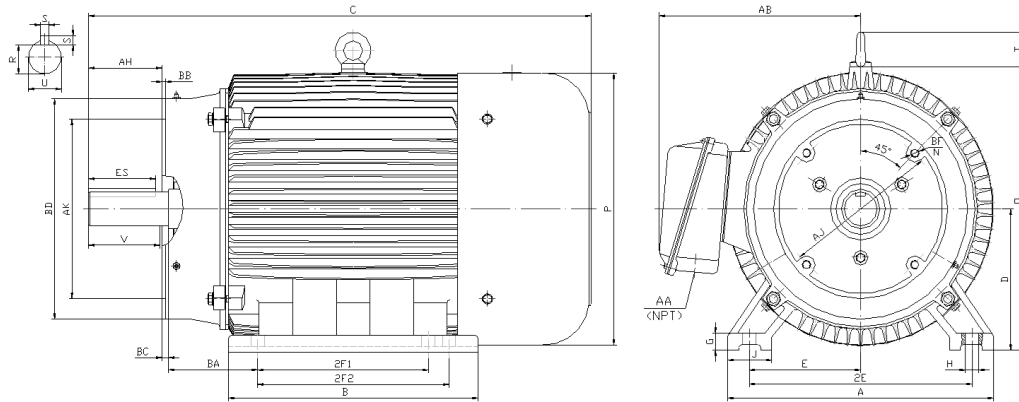
GENERAL PURPOSE ELECTRIC MOTOR

NEMA PREMIUM EFFICIENCY

TOTALLY ENCLOSED FAN COOLED - C-FLANGE WITH FEET

INVERTER DUTY 10:1 CT; 20:1 VT - NEMA MG1 PART 31

Factory Certified for T2B Class I, Division II, Groups A,B,C & D and Class II, Division II, Groups F & G



DIMENSIONS

HP	RPM	Frame	MOUNTING														
			A	B	C	D	G	H	J	E	2E	2F1	2F2	O	P	T	BA
5	1200	215TC	11	9.4	20.4	5.25	0.7	0.41	2.4	4.25	8.5	5.5	7	11.2	11.6	1.9	3.5

FLANGE							Shaft Extension, Key Set						
AH	AJ	AK	BB	BC	BD	BF	U	V	R	S	ES	N-W	
3.12	7.25	8.5	0.25	0.25	9	4*1/2-13	1.375	3.12	1.201	0.312	2.41	NA	

Conduit Box		Bearings		Mount
AA	AB	DE	ODE	
1	9	6308-ZZ	6308-ZZ	F1

BEARING LUBRICATION: The bearings come lubricated with Mobil Polyrex EM Polyurea Grease.





PE215TC-5-6

GENERAL PURPOSE ELECTRIC MOTOR

NEMA PREMIUM EFFICIENCY

TOTALLY ENCLOSED FAN COOLED - C-FLANGE WITH FEET

INVERTER DUTY 10:1 CT; 20:1 VT - NEMA MG1 PART 31

Factory Certified for T2B Class I, Division II, Groups A,B,C & D and Class II, Division II, Groups F & G

PERFORMANCE DATA

HP	RPM	Frame	Voltage	Frequency (Hz)	Full Load S.F.	Insulation Class	NEMA Design	Slip (%)	NEMA Code	Enclosure Type	IP Rating	Max. Ambient
5	1180	215TC	208-230/460	60	1.15	F	B	1.7	J	TEFC	55	40 °C

Amps (460V)		Efficiency (%)			Power Factor			Torque (ft-lb)			DE Bearing	ODE Bearing	Connection	Weight (lbs.)
FLA	LRA	100%	75%	50%	100%	75%	50%	FLT	LRT %	BDT %				
7.1	46	89.5	89.0	87.5	0.73	0.66	0.54	22.5	190	280	6308-ZZ	6308-ZZ	9 Lead 2Y/Y	153

NAME PLATE

		AC INDUCTION MOTOR INVERTER DUTY 20:1 VT; 10:1 CT								CONNECTION DIAGRAMS		
CAT NO.		PE215TC-5-6				FRAME		215TC		PHASE 3		
HZ	60	S.F.	1.15	HZ	50	S.F.	1.0	ENCL	TEFC	IP	55	
HP	5	RPM	1180	HP	5	RPM	980	DUTY	CONT	DES	B	
VOLTS	208-230/460		VOLTS		190/380		AMB		40 °C		INS	
AMPS	15.6 - 14.2 / 7.1		AMPS		16.8/8.4		DE BRG		6308-ZZ			
CODE	J	P.F.	0.73	CODE	G	P.F.	0.77	ODE BRG	6308-ZZ			
EFF	89.5	MIN	87.5	EFF	87.5	MIN	85.5	LUB: Mobil Polyrex EM				
MOTOR WEIGHT	153 LBS		CONNECTION			9 Lead 2Y/Y			SER NO			
General purpose use on industrial machinery installed in damp, dusty or dirty environments. Hernando, Mississippi										CC082A		

APPLICATIONS:

General purpose use on pumps, fans, blowers, compressors, conveyors, material handling and other industrial machinery installed in damp, dusty or dirty environments.