

PE254T-15-4-ODP

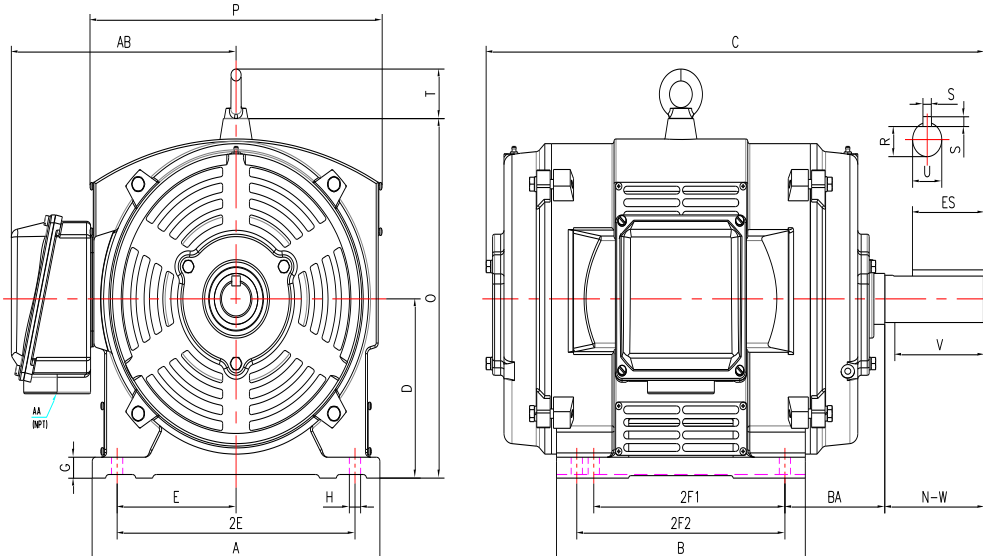
GENERAL PURPOSE ELECTRIC MOTOR

NEMA PREMIUM EFFICIENCY

OPEN DRIP PROOF

CAST IRON CONSTRUCTION

INVERTER DUTY 10:1 CT; 20:1 VT - NEMA MG1 PART 31



DIMENSIONS

HP	RPM	Frame	MOUNTING														
			A	B	C	D	G	H	J	E	2E	2F1	2F2	O	P	T	BA
15	1800	254T	11.85	11.65	22.15	6.25	0.7	0.53	NA	5	10	8.25	10	13	12.9	2.2	4.25

Shaft Extension, Key Set						Conduit Box		Bearings		Mount
U	V	R	S	ES	N-W	AA	AB	DE	ODE	
1.625	3.75	1.416	0.375	2.91	4	1.25	9.4	6309	6309	F1

BEARING LUBRICATION: The bearings come lubricated with Mobil Polyrex EM Polyurea Grease. It is recommended that you add some additional lubrication when the motor is installed.

Three options (brands) for suitable lubrication include, but are not limited to, the following:

- 1.) Mobil Polyrex EM
- 2.) Citco Polyurea MP
- 3.) Conoco Phillips Polytac EP





PE254T-15-4-ODP

GENERAL PURPOSE ELECTRIC MOTOR
NEMA PREMIUM EFFICIENCY
OPEN DRIP PROOF
CAST IRON CONSTRUCTION
INVERTER DUTY 10:1 CT; 20:1 VT - NEMA MG1 PART 31

PERFORMANCE DATA

HP	RPM	Frame	Voltage	Frequency (Hz)	Full Load S.F.	Insulation Class	NEMA Design	Slip (%)	NEMA Code	Enclosure Type	IP Rating	Max. Ambient
15	1765	254T	230/460	60	1.15	F	B	1.9	G	ODP	23	40 °C

Amps (460V)		Efficiency (%)			Power Factor			Torque (ft-lb)			DE Bearing	ODE Bearing	Connection	Weight (lbs.)
FLA	LRA	100%	75%	50%	100%	75%	50%	FLT	LRT %	BDT %				
18	116	93.0	92.5	92.0	0.84	0.79	0.70	44.9	170	260	6309	6309	12 Lead 2Δ/Δ	275

*Usable at 208 Volts

NAME PLATE

		AC INDUCTION MOTOR INVERTER DUTY 20:1 VT; 10:1 CT								CONNECTION DIAGRAMS		
CAT NO. PE254T-15-4-ODP		FRAME 254T		PHASE 3		230V 						
HZ 60	S.F. 1.15	HZ 50	S.F. 1.0	ENCL ODP	IP 23							
HP 15	RPM 1765	HP 15	RPM 1460	DUTY CONT	DES B							
VOLTS 230/460		VOLTS 190/380		AMB 40 °C	INS F							
AMPS 36 / 18		AMPS 45/23		DE BRG 6309								
CODE G	P.F. 0.84	CODE E	P.F. 0.83	ODE BRG 6309								
EFF 93.0	MIN 91.7	EFF 91.5	MIN 90.2	LUB: Mobil Polyrex EM								
MOTOR WEIGHT 275	LBS	CONNECTION 12 Lead 2Δ/Δ		SER NO		460V 						
General purpose use on industrial machinery installed in environments with minimal dirt and moisture. Hernando, Mississippi								CC082A				

APPLICATIONS:

General purpose use on pumps, fans, blowers, compressors, conveyors, material handling and other industrial machinery installed in environments with minimal dirt and moisture.