



## PE254T-15-4C

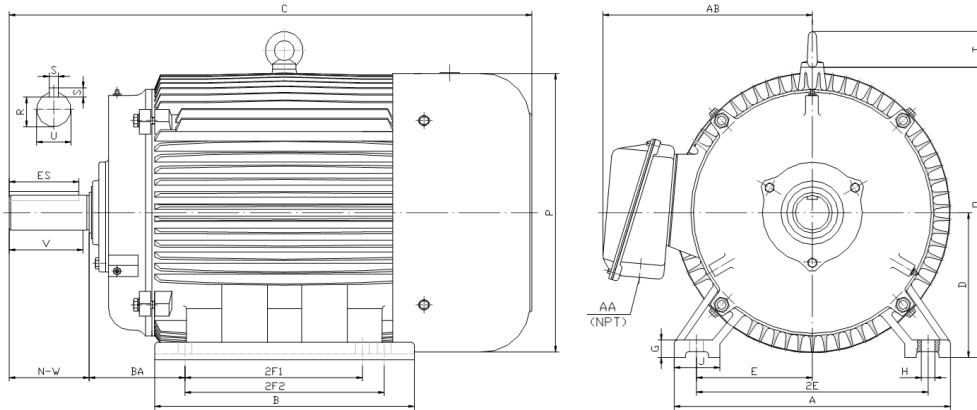
**CRUSHER DUTY ELECTRIC MOTOR**

**NEMA PREMIUM EFFICIENCY**

**TOTALLY ENCLOSED FAN COOLED**

**INVERTER DUTY 10:1 CT; 20:1 VT - NEMA MG1 PART 31**

**Factory Certified for T2B Class I, Division II, Groups A,B,C & D and Class II, Division II, Groups F & G**



### DIMENSIONS

HP	RPM	Frame	MOUNTING														
			A	B	C	D	G	H	J	E	2E	2F1	2F2	O	P	T	BA
15	1800	254T	13	10.45	23.2	6.25	0.7	0.53	2.75	5	10	8.25	NA	13.2	12.8	2.2	4.25

Shaft Extension, Key Set						Conduit Box		Bearings		Mount
U	V	R	S	ES	N-W	AA	AB	DE	ODE	
1.625	3.75	1.416	0.375	2.91	4	1.25	10.3	6309	6309	F1

**BEARING LUBRICATION:** The bearings come lubricated with Mobil Polyrex EM Polyurea Grease. It is recommended that you add some additional lubrication when the motor is installed.

Three options (brands) for suitable lubrication include, but are not limited to, the following:

- 1.) Mobil Polyrex EM
- 2.) Citco Polyurea MP
- 3.) Conoco Phillips Polytac EP





## PE254T-15-4C

**CRUSHER DUTY ELECTRIC MOTOR**

**NEMA PREMIUM EFFICIENCY**

**TOTALLY ENCLOSED FAN COOLED**

**INVERTER DUTY 10:1 CT; 20:1 VT - NEMA MG1 PART 31**

**Factory Certified for T2B Class I, Division II, Groups A,B,C & D and Class II, Division II, Groups F & G**

### PERFORMANCE DATA

HP	RPM	Frame	Voltage	Frequency (Hz)	Full Load S.F.	Insulation Class	NEMA Design	Slip (%)	NEMA Code	Enclosure Type	IP Rating	Max. Ambient
15	1770	254T	208-230/460	60	1.15	F	C	1.7	G	TEFC	55	40 °C

Amps (460V)		Efficiency (%)			Power Factor			Torque (ft-lb)			DE Bearing	ODE Bearing	Connection	Weight (lbs.)
FLA	LRA	100%	75%	50%	100%	75%	50%	FLT	LRT %	BDT %				
19	116	92.4	92.2	92.0	0.78	0.72	0.63	44.8	230	280	6309	6309	12 Lead 2Δ/Δ	256

### NAME PLATE

		AC INDUCTION MOTOR INVERTER DUTY 20:1 VT; 10:1 CT								CONNECTION DIAGRAMS				
CAT NO. PE254T-15-4C		FRAME 254T		PHASE 3								208-230V 		
HZ 60	S.F. 1.15	HZ 50	S.F. 1.0	ENCL TEFC	IP 55							460V 		
HP 15	RPM 1770	HP 15	RPM 1460	DUTY CONT	DES C									
VOLTS 208-230/460		VOLTS 190/380		AMB 40 °C	INS F									
AMPS 40 - 38 / 19		AMPS 45/22.5		DE BRG 6309										
CODE G	P.F. 0.78	CODE F	P.F. 0.83	ODE BRG 6309										
EFF 92.4	MIN 91.0	EFF 90.4	MIN 89.0	LUB: Mobil Polyrex EM										
MOTOR WEIGHT 256 LBS		CONNECTION 12 Lead 2Δ/Δ		SER NO										
Special purpose use on crushing and pulverizing equipment. Hernando, Mississippi								CC082A						

### APPLICATIONS:

Special purpose use on crushing and pulverizing equipment. Other industrial machinery requiring extremely high starting torques and breakdown torques. Suitable for use with variable frequency drives.