



PE254TC-15-4

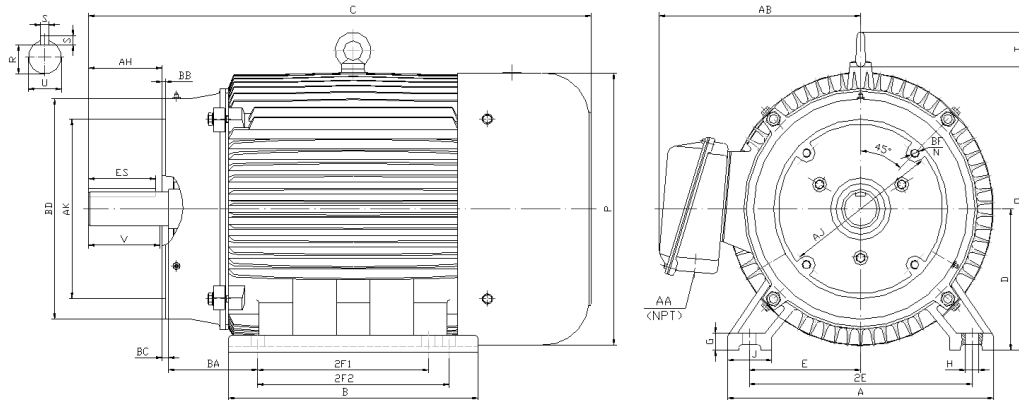
GENERAL PURPOSE ELECTRIC MOTOR

NEMA PREMIUM EFFICIENCY

TOTALLY ENCLOSED FAN COOLED - C-FLANGE WITH FEET

INVERTER DUTY 10:1 CT; 20:1 VT - NEMA MG1 PART 31

Factory Certified for T2B Class I, Division II, Groups A,B,C & D and Class II, Division II, Groups F & G



DIMENSIONS

HP	RPM	Frame	MOUNTING														
			A	B	C	D	G	H	J	E	2E	2F1	2F2	O	P	T	BA
15	1800	254TC	13	10.45	23.2	6.25	0.7	0.53	2.75	5	10	8.25	NA	13.2	12.8	2.2	4.25

FLANGE							Shaft Extension, Key Set						
AH	AJ	AK	BB	BC	BD	BF	U	V	R	S	ES	N-W	
3.75	7.25	8.5	0.25	0.25	10	4*1/2-13	1.625	3.75	1.416	0.375	2.91	NA	

Conduit Box		Bearings		Mount
AA	AB	DE	ODE	
1.25	10.3	6309	6309	F1

BEARING LUBRICATION: The bearings come lubricated with Mobil Polyrex EM Polyurea Grease. It is recommended that you add some additional lubrication when the motor is installed.

Three options (brands) for suitable lubrication include, but are not limited to, the following:

- 1.) Mobil Polyrex EM
- 2.) Citco Polyurea MP
- 3.) Conoco Phillips Polytac EP





PE254TC-15-4

GENERAL PURPOSE ELECTRIC MOTOR

NEMA PREMIUM EFFICIENCY

TOTALLY ENCLOSED FAN COOLED - C-FLANGE WITH FEET

INVERTER DUTY 10:1 CT; 20:1 VT - NEMA MG1 PART 31

Factory Certified for T2B Class I, Division II, Groups A,B,C & D and Class II, Division II, Groups F & G

PERFORMANCE DATA

HP	RPM	Frame	Voltage	Frequency (Hz)	Full Load S.F.	Insulation Class	NEMA Design	Slip (%)	NEMA Code	Enclosure Type	IP Rating	Max. Ambient
15	1770	254TC	208-230/460	60	1.15	F	B	1.7	G	TEFC	55	40 °C

Amps (460V)		Efficiency (%)			Power Factor			Torque (ft-lb)			DE Bearing	ODE Bearing	Connection	Weight (lbs.)
FLA	LRA	100%	75%	50%	100%	75%	50%	FLT	LRT %	BDT %				
18.2	116	92.4	92.2	92.0	0.81	0.76	0.66	44.8	170	260	6309	6309	12 Lead 2Δ/Δ	280

NAME PLATE

		AC INDUCTION MOTOR INVERTER DUTY 20:1 VT; 10:1 CT									CONNECTION DIAGRAMS				
CAT NO.		PE254TC-15-4				FRAME		254TC		PHASE 3			208-230V 		
HZ	60	S.F.	1.15	HZ	50	S.F.	1.0	ENCL	TEFC	IP	55				
HP	15	RPM	1770	HP	15	RPM	1460	DUTY CONT	DES B			460V 			
VOLTS 208-230/460		VOLTS 190/380		AMB 40 °C		INS F		AMPS 37.2 - 36.4 / 18.2			AMPS 45/22.5				DE BRG 6309
CODE G		P.F. 0.81		CODE F		P.F. 0.83		ODE BRG 6309		LUB: Mobil Polyrex EM			MOTOR WEIGHT 280 LBS CONNECTION 12 Lead 2Δ/Δ SER NO		
EFF 92.4		MIN 91.0		EFF 90.4		MIN 89.0									
General purpose use on industrial machinery installed in damp, dusty or dirty environments. Hernando, Mississippi								CC082A							

APPLICATIONS:

General purpose use on pumps, fans, blowers, compressors, conveyors, material handling and other industrial machinery installed in damp, dusty or dirty environments.