



PE256TC-10-6

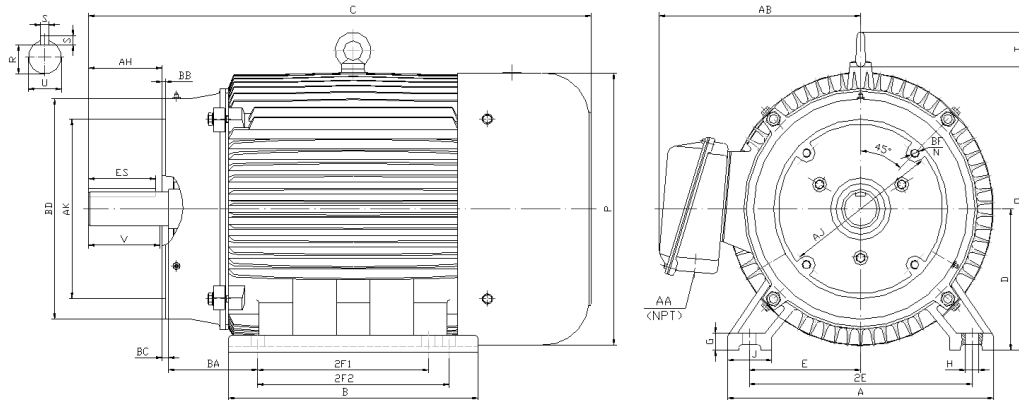
GENERAL PURPOSE ELECTRIC MOTOR

NEMA PREMIUM EFFICIENCY

TOTALLY ENCLOSED FAN COOLED - C-FLANGE WITH FEET

INVERTER DUTY 10:1 CT; 20:1 VT - NEMA MG1 PART 31

Factory Certified for T2B Class I, Division II, Groups A,B,C & D and Class II, Division II, Groups F & G



DIMENSIONS

HP	RPM	Frame	MOUNTING														
			A	B	C	D	G	H	J	E	2E	2F1	2F2	O	P	T	BA
10	1200	256TC	13	12.2	25	6.25	0.7	0.53	2.75	5	10	8.25	10	13.2	12.8	2.2	4.25

FLANGE							Shaft Extension, Key Set						
AH	AJ	AK	BB	BC	BD	BF	U	V	R	S	ES	N-W	
3.75	7.25	8.5	0.25	0.25	10	4*1/2-13	1.625	3.75	1.416	0.375	2.91	NA	

Conduit Box		Bearings		Mount
AA	AB	DE	ODE	
1.25	10.3	6309	6309	F1

BEARING LUBRICATION: The bearings come lubricated with Mobil Polyrex EM Polyurea Grease. It is recommended that you add some additional lubrication when the motor is installed.

Three options (brands) for suitable lubrication include, but are not limited to, the following:

- 1.) Mobil Polyrex EM
- 2.) Citco Polyurea MP
- 3.) Conoco Phillips Polytac EP





PE256TC-10-6

GENERAL PURPOSE ELECTRIC MOTOR

NEMA PREMIUM EFFICIENCY

TOTALLY ENCLOSED FAN COOLED - C-FLANGE WITH FEET

INVERTER DUTY 10:1 CT; 20:1 VT - NEMA MG1 PART 31

Factory Certified for T2B Class I, Division II, Groups A,B,C & D and Class II, Division II, Groups F & G

PERFORMANCE DATA

HP	RPM	Frame	Voltage	Frequency (Hz)	Full Load S.F.	Insulation Class	NEMA Design	Slip (%)	NEMA Code	Enclosure Type	IP Rating	Max. Ambient
10	1180	256TC	208-230/460	60	1.15	F	B	1.7	H	TEFC	55	40 °C

Amps (460V)		Efficiency (%)			Power Factor			Torque (ft-lb)			DE Bearing	ODE Bearing	Connection	Weight (lbs.)
FLA	LRA	100%	75%	50%	100%	75%	50%	FLT	LRT %	BDT %				
12.8	81	91.0	91.0	90.4	0.76	0.70	0.57	44.9	180	270	6309	6309	12 Lead 2Δ/Δ	269

NAME PLATE

		AC INDUCTION MOTOR INVERTER DUTY 20:1 VT; 10:1 CT								CONNECTION DIAGRAMS				
CAT NO. PE256TC-10-6		FRAME 256TC		PHASE 3								208-230V 		
HZ 60	S.F. 1.15	HZ 50	S.F. 1.0	ENCL TEFC	IP 55							460V 		
HP 10	RPM 1180	HP 10	RPM 978	DUTY CONT	DES B									
VOLTS 208-230/460		VOLTS 190/380		AMB 40 °C	INS F									
AMPS 27.2 - 25.6 / 12.8		AMPS 32/16		DE BRG 6309										
CODE H	P.F. 0.76	CODE F	P.F. 0.80	ODE BRG 6309										
EFF 91.0	MIN 89.5	EFF 89.0	MIN 87.5	LUB: Mobil Polyrex EM										
MOTOR WEIGHT 269	LBS	CONNECTION 12 Lead 2Δ/Δ		SER NO										
General purpose use on industrial machinery installed in damp, dusty or dirty environments. Hernando, Mississippi								CC082A						

APPLICATIONS:

General purpose use on pumps, fans, blowers, compressors, conveyors, material handling and other industrial machinery installed in damp, dusty or dirty environments.