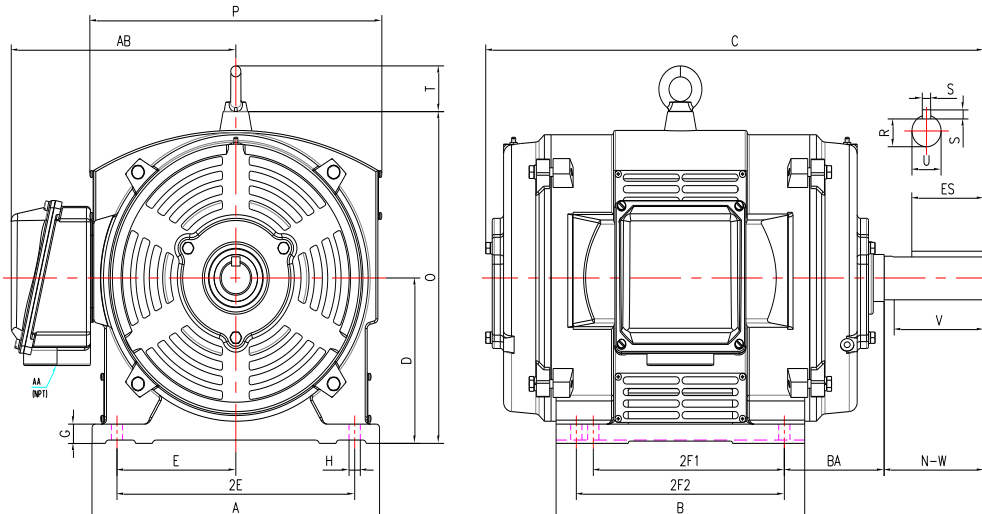


## PE284T-25-4-ODP

GENERAL PURPOSE ELECTRIC MOTOR  
 NEMA PREMIUM EFFICIENCY  
 OPEN DRIP PROOF  
 CAST IRON CONSTRUCTION  
 INVERTER DUTY 10:1 CT; 20:1 VT - NEMA MG1 PART 31



### DIMENSIONS

HP	RPM	Frame	MOUNTING														
			A	B	C	D	G	H	J	E	2E	2F1	2F2	O	P	T	BA
25	1800	284T	13	12.8	24.8	7	0.7	0.53	NA	5.5	11	9.5	11	14.3	13.95	2.2	4.75

Shaft Extension, Key Set						Conduit Box		Bearings		Mount
U	V	R	S	ES	N-W	AA	AB	DE	ODE	
1.875	4.38	1.591	0.5	3.28	4.62	1.5	10.1	6311	6311	F1

**BEARING LUBRICATION:** The bearings come lubricated with Mobil Polyrex EM Polyurea Grease. It is recommended that you add some additional lubrication when the motor is installed.

Three options (brands) for suitable lubrication include, but are not limited to, the following:

- 1.) Mobil Polyrex EM
- 2.) Citco Polyurea MP
- 3.) Conoco Phillips Polytac EP





## PE284T-25-4-ODP

**GENERAL PURPOSE ELECTRIC MOTOR**  
**NEMA PREMIUM EFFICIENCY**  
**OPEN DRIP PROOF**  
**CAST IRON CONSTRUCTION**  
**INVERTER DUTY 10:1 CT; 20:1 VT - NEMA MG1 PART 31**

### PERFORMANCE DATA

HP	RPM	Frame	Voltage	Frequency (Hz)	Full Load S.F.	Insulation Class	NEMA Design	Slip (%)	NEMA Code	Enclosure Type	IP Rating	Max. Ambient
25	1775	284T	208-230/460	60	1.15	F	B	1.4	G	ODP	23	40 °C

Amps (460V)		Efficiency (%)			Power Factor			Torque (ft-lb)			DE Bearing	ODE Bearing	Connection	Weight (lbs.)
FLA	LRA	100%	75%	50%	100%	75%	50%	FLT	LRT %	BDT %				
30	182	93.6	93.6	92.5	0.85	0.83	0.75	74.3	160	250	6311	6311	12 Lead 2Δ/Δ	378

### NAME PLATE

		AC INDUCTION MOTOR INVERTER DUTY 20:1 VT; 10:1 CT								CONNECTION DIAGRAMS			
CAT NO. PE284T-25-4-ODP		FRAME 284T		PHASE 3									
HZ 60	S.F. 1.15	HZ 50	S.F. 1.0	ENCL ODP	IP 23								
HP 25	RPM 1775	HP 25	RPM 1465	DUTY CONT	DES B								
VOLTS 208-230/460		VOLTS 190/380		AMB 40 °C	INS F								
AMPS 66 - 60 / 30		AMPS 72/36		DE BRG 6311									
CODE G	P.F. 0.85	CODE F	P.F. 0.86	ODE BRG 6311									
EFF 93.6	MIN 92.4	EFF 92.3	MIN 91.1	LUB: Mobil Polyrex EM									
MOTOR WEIGHT 378 LBS		CONNECTION 12 Lead 2Δ/Δ		SER NO									
General purpose use on industrial machinery installed in environments with minimal dirt and moisture. Hermando, Mississippi												CC082A	

### APPLICATIONS:

General purpose use on pumps, fans, blowers, compressors, conveyors, material handling and other industrial machinery installed in environments with minimal dirt and moisture.