



## PE284T-25-4

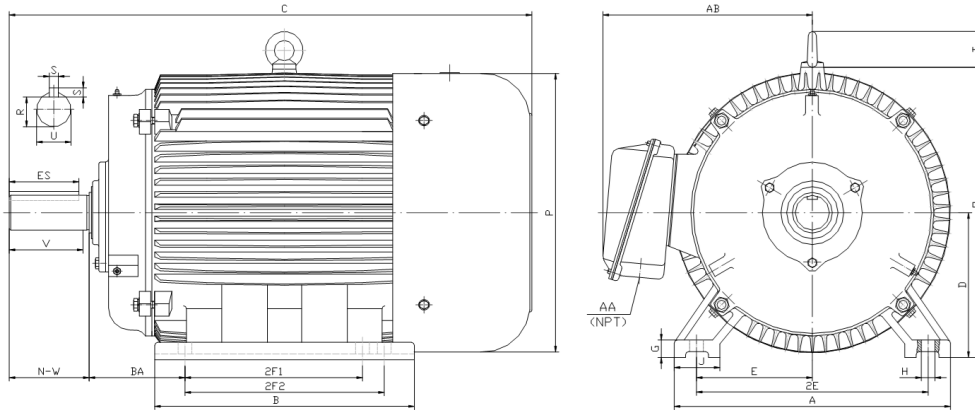
GENERAL PURPOSE ELECTRIC MOTOR

NEMA PREMIUM EFFICIENCY

TOTALLY ENCLOSED FAN COOLED

INVERTER DUTY 10:1 CT; 20:1 VT - NEMA MG1 PART 31

Factory Certified for T2B Class I, Division II, Groups A,B,C & D and Class II, Division II, Groups F & G



### DIMENSIONS

HP	RPM	Frame	MOUNTING														
			A	B	C	D	G	H	J	E	2E	2F1	2F2	O	P	T	BA
25	1800	284T	14	11.7	26.6	7	0.85	0.53	2.75	5.5	11	9.5	NA	14.5	14	2.2	4.75

Shaft Extension, Key Set						Conduit Box		Bearings		Mount
U	V	R	S	ES	N-W	AA	AB	DE	ODE	
1.875	4.38	1.591	0.5	3.28	4.62	1.5	11.3	6311	6311	F1

**BEARING LUBRICATION:** The bearings come lubricated with Mobil Polyrex EM Polyurea Grease. It is recommended that you add some additional lubrication when the motor is installed.

Three options (brands) for suitable lubrication include, but are not limited to, the following:

- 1.) Mobil Polyrex EM
- 2.) Citco Polyurea MP
- 3.) Conoco Phillips Polytac EP





## PE284T-25-4

GENERAL PURPOSE ELECTRIC MOTOR

NEMA PREMIUM EFFICIENCY

TOTALLY ENCLOSED FAN COOLED

INVERTER DUTY 10:1 CT; 20:1 VT - NEMA MG1 PART 31

Factory Certified for T2B Class I, Division II, Groups A,B,C & D and Class II, Division II, Groups F & G

### PERFORMANCE DATA

HP	RPM	Frame	Voltage	Frequency (Hz)	Full Load S.F.	Insulation Class	NEMA Design	Slip (%)	NEMA Code	Enclosure Type	IP Rating	Max. Ambient
25	1775	284T	208-230/460	60	1.15	F	B	1.4	G	TEFC	55	40 °C

Amps (460V)		Efficiency (%)			Power Factor			Torque (ft-lb)			DE Bearing	ODE Bearing	Connection	Weight (lbs.)
FLA	LRA	100%	75%	50%	100%	75%	50%	FLT	LRT %	BDT %				
30	182	93.6	93.6	93.0	0.84	0.81	0.72	74.3	160	255	6311	6311	12 Lead 2Δ/Δ	364

### NAME PLATE

		AC INDUCTION MOTOR INVERTER DUTY 20:1 VT; 10:1 CT								CONNECTION DIAGRAMS		
CAT NO. PE284T-25-4		FRAME 284T				PHASE 3						
HZ 60	S.F. 1.15	HZ 50	S.F. 1.0	ENCL TEFC	IP 55							
HP 25	RPM 1775	HP 25	RPM 1465	DUTY CONT	DES B							
VOLTS 208-230/460		VOLTS 190/380		AMB 40 °C	INS F							
AMPS 65 - 60 / 30	AMPS 72/36		DE BRG 6311									
CODE G	P.F. 0.84	CODE F	P.F. 0.86	ODE BRG 6311								
EFF 93.6	MIN 92.4	EFF 92.3	MIN 91.1	LUB: Mobil Polyrex EM								
MOTOR WEIGHT 364 LBS	CONNECTION 12 Lead 2Δ/Δ			SER NO								
General purpose use on industrial machinery installed in damp, dusty or dirty environments. Hermando, Mississippi									CC082A			

### APPLICATIONS:

General purpose use on pumps, fans, blowers, compressors, conveyors, material handling and other industrial machinery installed in damp, dusty or dirty environments.