



## PE286TC-30-4

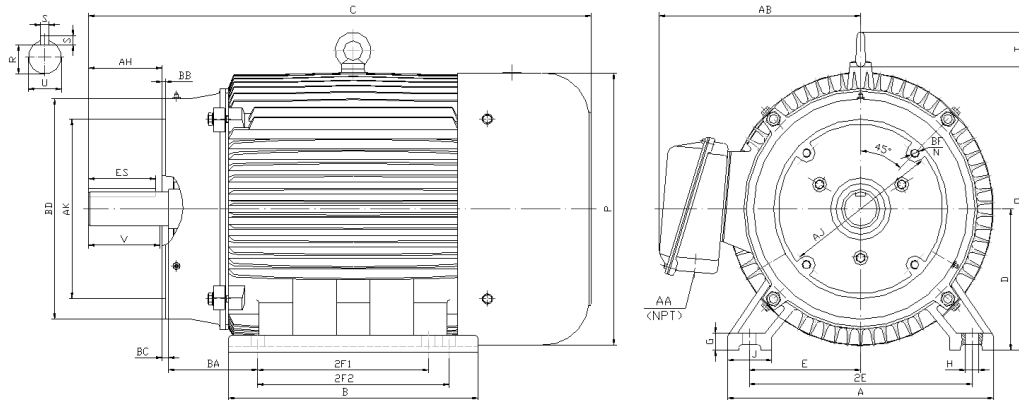
GENERAL PURPOSE ELECTRIC MOTOR

NEMA PREMIUM EFFICIENCY

TOTALLY ENCLOSED FAN COOLED - C-FLANGE WITH FEET

INVERTER DUTY 10:1 CT; 20:1 VT - NEMA MG1 PART 31

Factory Certified for T2B Class I, Division II, Groups A,B,C & D and Class II, Division II, Groups F & G



### DIMENSIONS

HP	RPM	Frame	MOUNTING														
			A	B	C	D	G	H	J	E	2E	2F1	2F2	O	P	T	BA
30	1800	286TC	14	13.2	28.1	7	0.85	0.53	2.75	5.5	11	9.5	11	14.5	14	2.2	4.75

FLANGE							Shaft Extension, Key Set						
AH	AJ	AK	BB	BC	BD	BF	U	V	R	S	ES	N-W	
4.38	9	10.5	0.25	0.25	11.25	4*1/2-13	1.875	4.38	1.591	0.5	3.28	NA	

Conduit Box		Bearings		Mount
AA	AB	DE	ODE	
1.5	11.3	6311	6311	

**BEARING LUBRICATION:** The bearings come lubricated with Mobil Polyrex EM Polyurea Grease. It is recommended that you add some additional lubrication when the motor is installed.

Three options (brands) for suitable lubrication include, but are not limited to, the following:

- 1.) Mobil Polyrex EM
- 2.) Citco Polyurea MP
- 3.) Conoco Phillips Polytac EP





## PE286TC-30-4

**GENERAL PURPOSE ELECTRIC MOTOR**

**NEMA PREMIUM EFFICIENCY**

**TOTALLY ENCLOSED FAN COOLED - C-FLANGE WITH FEET**

**INVERTER DUTY 10:1 CT; 20:1 VT - NEMA MG1 PART 31**

**Factory Certified for T2B Class I, Division II, Groups A,B,C & D and Class II, Division II, Groups F & G**

### PERFORMANCE DATA

HP	RPM	Frame	Voltage	Frequency (Hz)	Full Load S.F.	Insulation Class	NEMA Design	Slip (%)	NEMA Code	Enclosure Type	IP Rating	Max. Ambient
30	1775	286TC	208-230/460	60	1.15	F	B	1.4	G	TEFC	55	40 °C

Amps (460V)		Efficiency (%)			Power Factor			Torque (ft-lb)			DE Bearing	ODE Bearing	Connection	Weight (lbs.)
FLA	LRA	100%	75%	50%	100%	75%	50%	FLT	LRT %	BDT %				
35.3	217	93.6	93.6	93.0	0.84	0.81	0.71	89.1	160	250	6311	6311	12 Lead 2Δ/Δ	434

### NAME PLATE

		AC INDUCTION MOTOR INVERTER DUTY 20:1 VT; 10:1 CT								CONNECTION DIAGRAMS				
CAT NO. PE286TC-30-4		FRAME 286TC		PHASE 3								208-230V 		
HZ 60	S.F. 1.15	HZ 50	S.F. 1.0	ENCL TEFC	IP 55									
HP 30	RPM 1775	HP 30	RPM 1465	DUTY CONT	DES B									
VOLTS 208-230/460		VOLTS 190/380		AMB 40 °C	INS F									
AMPS 76 - 70.6 / 35.3		AMPS 86/43		DE BRG 6311										
CODE G	P.F. 0.84	CODE F	P.F. 0.86	ODE BRG 6311										
EFF 93.6	MIN 92.4	EFF 92.2	MIN 91.0	LUB: Mobil Polyrex EM										
MOTOR WEIGHT 434	LBS	CONNECTION 12 Lead 2Δ/Δ		SER NO								460V 		
General purpose use on industrial machinery installed in damp, dusty or dirty environments. Hernando, Mississippi								CC082A						

### APPLICATIONS:

General purpose use on pumps, fans, blowers, compressors, conveyors, material handling and other industrial machinery installed in damp, dusty or dirty environments.