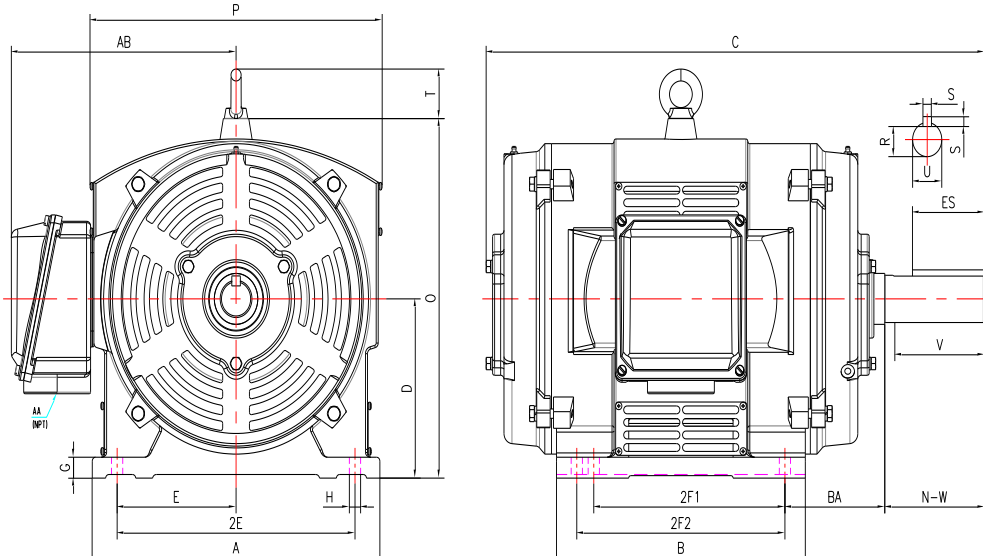


## PE286TS-40-2-ODP

GENERAL PURPOSE ELECTRIC MOTOR  
 NEMA PREMIUM EFFICIENCY  
 OPEN DRIP PROOF  
 CAST IRON CONSTRUCTION  
 INVERTER DUTY 10:1 CT; 20:1 VT - NEMA MG1 PART 31



### DIMENSIONS

HP	RPM	Frame	MOUNTING														
			A	B	C	D	G	H	J	NA	E	2E	2F1	2F2	O	P	T
40	3600	286TS	13	12.8	23.43	7	0.7	0.53	NA	5.5	11	9.5	11	14.3	13.95	2.2	4.75

Shaft Extension, Key Set						Conduit Box		Bearings		Mount
U	V	R	S	ES	N-W	AA	AB	DE	ODE	
1.625	3	1.416	0.375	1.91	3.25	1.5	10.1	6311	6311	F1

**BEARING LUBRICATION:** The bearings come lubricated with Mobil Polyrex EM Polyurea Grease. It is recommended that you add some additional lubrication when the motor is installed.

Three options (brands) for suitable lubrication include, but are not limited to, the following:

- 1.) Mobil Polyrex EM
- 2.) Citco Polyurea MP
- 3.) Conoco Phillips Polytac EP





## PE286TS-40-2-ODP

**GENERAL PURPOSE ELECTRIC MOTOR**  
**NEMA PREMIUM EFFICIENCY**  
**OPEN DRIP PROOF**  
**CAST IRON CONSTRUCTION**  
**INVERTER DUTY 10:1 CT; 20:1 VT - NEMA MG1 PART 31**

### PERFORMANCE DATA

HP	RPM	Frame	Voltage	Frequency (Hz)	Full Load S.F.	Insulation Class	NEMA Design	Slip (%)	NEMA Code	Enclosure Type	IP Rating	Max. Ambient
40	3545	286TS	230/460	60	1.15	F	B	1.5	G	ODP	23	40 °C

Amps (460V)		Efficiency (%)			Power Factor			Torque (ft-lb)			DE Bearing	ODE Bearing	Connection	Weight (lbs.)
FLA	LRA	100%	75%	50%	100%	75%	50%	FLT	LRT %	BDT %				
45	290	92.4	92.0	91.0	0.89	0.87	0.82	59.2	160	250	6311	6311	12 Lead 2Δ/Δ	414

\*Usable at 208 Volts

### NAME PLATE

		AC INDUCTION MOTOR INVERTER DUTY 20:1 VT; 10:1 CT								CONNECTION DIAGRAMS		
CAT NO.		PE286TS-40-2-ODP				FRAME		286TS		PHASE 3		
HZ 60		S.F. 1.15		HZ 50		S.F. 1.0		ENCL ODP		IP 23		
HP 40		RPM 3545		HP 40		RPM 2935		DUTY CONT		DES B		
VOLTS 230/460		VOLTS 190/380		AMB 40 °C		INS F						
AMPS 90 / 45		AMPS 110/55		DE BRG 6311								
CODE G		P.F. 0.89		CODE E		P.F. 0.91		ODE BRG 6311				
EFF 92.4		MIN 91.0		EFF 90.7		MIN 89.3		LUB: Mobil Polyrex EM				
MOTOR WEIGHT 414 LBS		CONNECTION 12 Lead 2Δ/Δ		SER NO								
General purpose use on industrial machinery installed in environments with minimal dirt and moisture.										CC082A		
Hernando, Mississippi												

### APPLICATIONS:

General purpose use on pumps, fans, blowers, compressors, conveyors, material handling and other industrial machinery installed in environments with minimal dirt and moisture.