



PE324JP-40-4

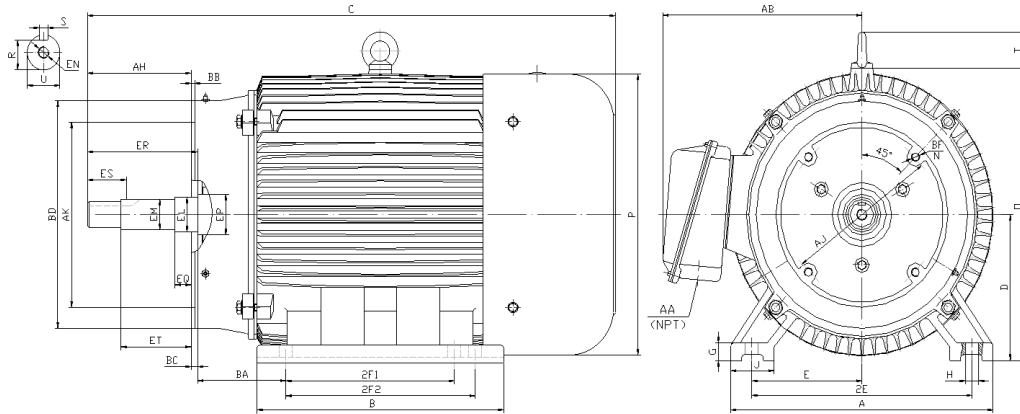
CLOSE COUPLED PUMP MOTORS

NEMA PREMIUM EFFICIENCY

TOTALLY ENCLOSED FAN COOLED, JP FRAME

INVERTER DUTY 10:1 CT; 20:1 VT - NEMA MG1 PART 31

Factory Certified for T2B Class I, Division II, Groups A,B,C & D and Class II, Division II, Groups F & G



DIMENSIONS

HP	RPM	Frame	MOUNTING														
			A	B	C	D	G	H	J	E	2E	2F1	2F2	O	P	T	BA
40	1800	324JP	15.5	13.2	32.93	8	1	0.66	2.75	6.25	12.5	10.5	NA	15.9	15.7	2.6	5.25

FLANGE							Shaft Extension, Key Set										
AH	AJ	AK	BB	BC	BD	BF	U	R	S	EQ	ER	ES	ET	EP	EL	EM	EN
8.156	11	12.500	0.312	0.25	14	4*5/8-11	1.2495	1.112	0.252	2.395	8.125	2.53	5.895	2.36	1.750	1.3750	1/2-13
8.094		12.495	0.250				1.2490	1.097	0.250	2.355			5.855		1.748	1.3745	

Conduit Box		Bearings		Mount
AA	AB	DE	ODE	
2	12.3	6312	6312	F1

BEARING LUBRICATION: The bearings come lubricated with Mobil Polyrex EM Polyurea Grease. It is recommended that you add some additional lubrication when the motor is installed.

Three options (brands) for suitable lubrication include, but are not limited to, the following:

- 1.) Mobil Polyrex EM
- 2.) Citco Polyurea MP
- 3.) Conoco Phillips Polytac EP





PE324JP-40-4

CLOSE COUPLED PUMP MOTORS

NEMA PREMIUM EFFICIENCY

TOTALLY ENCLOSED FAN COOLED, JP FRAME

INVERTER DUTY 10:1 CT; 20:1 VT - NEMA MG1 PART 31

Factory Certified for T2B Class I, Division II, Groups A,B,C & D and Class II, Division II, Groups F & G

PERFORMANCE DATA

HP	RPM	Frame	Voltage	Frequency (Hz)	Full Load S.F.	Insulation Class	NEMA Design	Slip (%)	NEMA Code	Enclosure Type	IP Rating	Max. Ambient
40	1780	324JP	230/460	60	1.15	F	B	1.1	G	TEFC	55	40 °C

Amps (460V)		Efficiency (%)			Power Factor			Torque (ft-lb)			DE Bearing	ODE Bearing	Connection	Weight (lbs.)
FLA	LRA	100%	75%	50%	100%	75%	50%	FLT	LRT %	BDT %				
46.6	290	94.1	94.6	94.6	0.83	0.79	0.70	118.8	160	245	6312	6312	12 Lead 2Δ/Δ	530

*Usable at 208 Volts

NAME PLATE

		AC INDUCTION MOTOR INVERTER DUTY 20:1 VT; 10:1 CT								CONNECTION DIAGRAMS 230V		
CAT NO. PE324JP-40-4		FRAME 324JP		PHASE 3								
HZ 60	S.F. 1.15	HZ 50	S.F. 1.0	ENCL TEFC	IP 55							
HP 40	RPM 1780	HP 40	RPM 1470	DUTY CONT	DES B							
VOLTS 230/460		VOLTS 190/380		AMB 40 °C	INS F							
AMPS 93.2/46.6		AMPS 114/57		DE BRG 6312								
CODE G	P.F. 0.83	CODE F	P.F. 0.85	ODE BRG 6312								
EFF 94.1	MIN 93.0	EFF 92.8	MIN 91.5	LUB: Mobil Polyrex EM								
MOTOR WEIGHT 530 LBS		CONNECTION 12 Lead 2Δ/Δ		SER NO								
General purpose use on industrial machinery installed in damp, dusty or dirty environments. Hernando, Mississippi								CC082A		460V 		

APPLICATIONS:

Specifically designed for use on industrial and commercial pumping units.