



PE324T-40-2

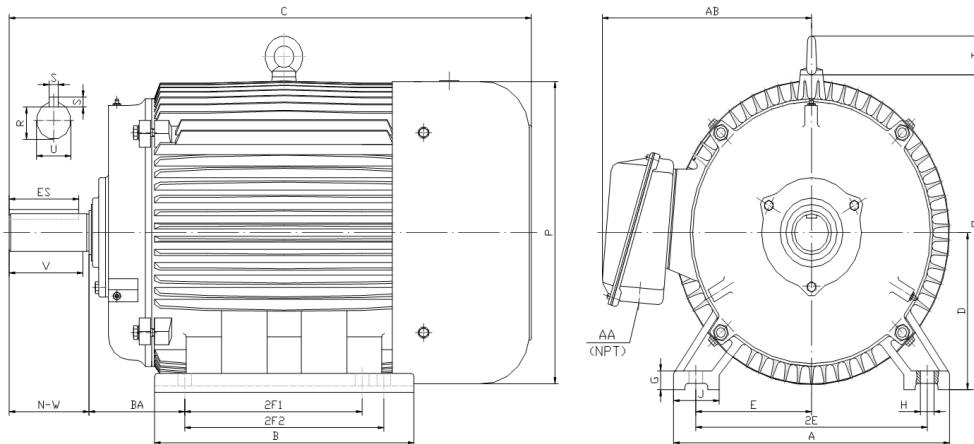
GENERAL PURPOSE ELECTRIC MOTOR

NEMA PREMIUM EFFICIENCY

TOTALLY ENCLOSED FAN COOLED

INVERTER DUTY 10:1 CT; 20:1 VT - NEMA MG1 PART 31

Factory Certified for T2B Class I, Division II, Groups A,B,C & D and Class II, Division II, Groups F & G



DIMENSIONS

| HP | RPM | Frame | MOUNTING | | | | | | | | | | | | | | |
|----|------|-------|----------|------|------|---|---|------|------|------|------|------|-----|------|------|-----|------|
| | | | A | B | C | D | G | H | J | E | 2E | 2F1 | 2F2 | O | P | T | BA |
| 40 | 3600 | 324T | 15.5 | 13.2 | 29.8 | 8 | 1 | 0.66 | 2.75 | 6.25 | 12.5 | 10.5 | NA | 15.9 | 15.7 | 2.6 | 5.25 |

| Shaft Extension, Key Set | | | | | | Conduit Box | | Bearings | | Mount |
|--------------------------|---|-------|-----|------|------|-------------|------|----------|------|-------|
| U | V | R | S | ES | N-W | AA | AB | DE | ODE | |
| 2.125 | 5 | 1.845 | 0.5 | 3.91 | 5.25 | 2 | 12.3 | 6312 | 6312 | F1 |

BEARING LUBRICATION: The bearings come lubricated with Mobil Polyrex EM Polyurea Grease. It is recommended that you add some additional lubrication when the motor is installed.

Three options (brands) for suitable lubrication include, but are not limited to, the following:

- 1.) Mobil Polyrex EM
- 2.) Citco Polyurea MP
- 3.) Conoco Phillips Polytac EP





PE324T-40-2

GENERAL PURPOSE ELECTRIC MOTOR

NEMA PREMIUM EFFICIENCY

TOTALLY ENCLOSED FAN COOLED

INVERTER DUTY 10:1 CT; 20:1 VT - NEMA MG1 PART 31

Factory Certified for T2B Class I, Division II, Groups A,B,C & D and Class II, Division II, Groups F & G

PERFORMANCE DATA

| HP | RPM | Frame | Voltage | Frequency (Hz) | Full Load S.F. | Insulation Class | NEMA Design | Slip (%) | NEMA Code | Enclosure Type | IP Rating | Max. Ambient |
|----|------|-------|---------|----------------|----------------|------------------|-------------|----------|-----------|----------------|-----------|--------------|
| 40 | 3545 | 324T | 230/460 | 60 | 1.15 | F | B | 1.5 | G | TEFC | 55 | 40 °C |

| Amps (460V) | | Efficiency (%) | | | Power Factor | | | Torque (ft-lb) | | | DE Bearing | ODE Bearing | Connection | Weight (lbs.) |
|-------------|-----|----------------|------|------|--------------|------|------|----------------|-------|-------|------------|-------------|--------------|---------------|
| FLA | LRA | 100% | 75% | 50% | 100% | 75% | 50% | FLT | LRT % | BDT % | | | | |
| 45.5 | 290 | 92.4 | 92.0 | 91.0 | 0.90 | 0.88 | 0.83 | 59.2 | 140 | 250 | 6312 | 6312 | 12 Lead 2Δ/Δ | 532 |

*Usable at 208 Volts

NAME PLATE

| | | | | | | | | | | |
|--|-----------|--|-----------|-----------------------|-------|----------|--|---------------------|--|--|
| | | AC INDUCTION MOTOR INVERTER DUTY 20:1 VT; 10:1 CT | | | | | | CONNECTION DIAGRAMS | | |
| CAT NO. PE324T-40-2 | | FRAME 324T | | PHASE 3 | | 230V | | | | |
| HZ 60 | S.F. 1.15 | HZ 50 | S.F. 1.0 | ENCL TEFC | IP 55 | | | | | |
| HP 40 | RPM 3545 | HP 40 | RPM 2935 | DUTY CONT | DES B | | | | | |
| VOLTS 230/460 | | VOLTS 190/380 | | AMB 40 °C | INS F | | | | | |
| AMPS 91 / 45.5 | | AMPS 110/55 | | DE BRG 6312 | | | | | | |
| CODE G | P.F. 0.90 | CODE F | P.F. 0.91 | ODE BRG 6312 | | | | | | |
| EFF 92.4 | MIN 91.0 | EFF 90.7 | MIN 89.3 | LUB: Mobil Polyrex EM | | 460V | | | | |
| MOTOR WEIGHT 532 | LBS | CONNECTION 12 Lead 2Δ/Δ | | SER NO | | | | | | |
| General purpose use on industrial machinery installed in damp, dusty or dirty environments. Hernando, Mississippi | | | | | | | | CC082A | | |

APPLICATIONS:

General purpose use on pumps, fans, blowers, compressors, conveyors, material handling and other industrial machinery installed in damp, dusty or dirty environments.