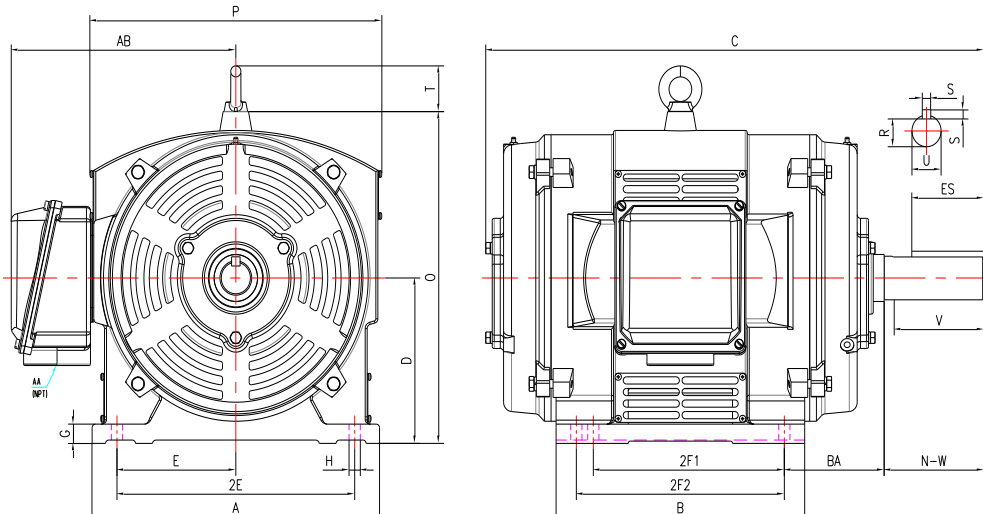




PE324T-40-4-ODP

GENERAL PURPOSE ELECTRIC MOTOR
NEMA PREMIUM EFFICIENCY
OPEN DRIP PROOF
CAST IRON CONSTRUCTION
INVERTER DUTY 10:1 CT; 20:1 VT - NEMA MG1 PART 31



DIMENSIONS

| HP | RPM | Frame | MOUNTING | | | | | | | | | | | | | | |
|----|------|-------|----------|-------|------|---|------|------|----|------|------|------|-----|------|-------|-----|------|
| | | | A | B | C | D | G | H | J | E | 2E | 2F1 | 2F2 | O | P | T | BA |
| 40 | 1800 | 324T | 14.6 | 13.95 | 27.1 | 8 | 0.85 | 0.66 | NA | 6.25 | 12.5 | 10.5 | 12 | 16.1 | 15.35 | 2.6 | 5.25 |

| Shaft Extension, Key Set | | | | | | Conduit Box | | Bearings | | Mount |
|--------------------------|---|-------|-----|------|------|-------------|------|----------|------|-------|
| U | V | R | S | ES | N-W | AA | AB | DE | ODE | |
| 2.125 | 5 | 1.845 | 0.5 | 3.91 | 5.25 | 2 | 11.4 | 6312 | 6312 | F1 |

BEARING LUBRICATION: The bearings come lubricated with Mobil Polyrex EM Polyurea Grease. It is recommended that you add some additional lubrication when the motor is installed.

Three options (brands) for suitable lubrication include, but are not limited to, the following:

- 1.) Mobil Polyrex EM
- 2.) Citco Polyurea MP
- 3.) Conoco Phillips Polytac EP





PE324T-40-4-ODP

GENERAL PURPOSE ELECTRIC MOTOR
NEMA PREMIUM EFFICIENCY
OPEN DRIP PROOF
CAST IRON CONSTRUCTION
INVERTER DUTY 10:1 CT; 20:1 VT - NEMA MG1 PART 31

PERFORMANCE DATA

| HP | RPM | Frame | Voltage | Frequency (Hz) | Full Load S.F. | Insulation Class | NEMA Design | Slip (%) | NEMA Code | Enclosure Type | IP Rating | Max. Ambient |
|----|------|-------|-------------|----------------|----------------|------------------|-------------|----------|-----------|----------------|-----------|--------------|
| 40 | 1780 | 324T | 208-230/460 | 60 | 1.15 | F | B | 1.1 | G | ODP | 23 | 40 °C |

| Amps (460V) | | Efficiency (%) | | | Power Factor | | | Torque (ft-lb) | | | DE Bearing | ODE Bearing | Connection | Weight (lbs.) |
|-------------|-----|----------------|------|------|--------------|------|------|----------------|-------|-------|------------|-------------|--------------|---------------|
| FLA | LRA | 100% | 75% | 50% | 100% | 75% | 50% | FLT | LRT % | BDT % | | | | |
| 48 | 290 | 94.1 | 94.0 | 93.6 | 0.83 | 0.79 | 0.70 | 118.8 | 170 | 250 | 6312 | 6312 | 12 Lead 2Δ/Δ | 521 |

NAME PLATE

| | | | | | | | | | | | | |
|--|-----------|--|-----------|-----------------------|-------|---------|--|--------|--|---------------------|--|--|
| | | AC INDUCTION MOTOR INVERTER DUTY 20:1 VT; 10:1 CT | | | | | | | | CONNECTION DIAGRAMS | | |
| CAT NO. PE324T-40-4-ODP | | FRAME 324T | | | | PHASE 3 | | | | | | |
| HZ 60 | S.F. 1.15 | HZ 50 | S.F. 1.0 | ENCL ODP | IP 23 | | | | | | | |
| HP 40 | RPM 1780 | HP 40 | RPM 1470 | DUTY CONT | DES B | | | | | | | |
| VOLTS 208-230/460 | | VOLTS 190/380 | | AMB 40 °C | INS F | | | | | | | |
| AMPS 106 - 96 / 48 | | AMPS 115/58 | | DE BRG 6312 | | | | | | | | |
| CODE G | P.F. 0.83 | CODE D | P.F. 0.85 | ODE BRG 6312 | | | | | | | | |
| EFF 94.1 | MIN 93.0 | EFF 92.8 | MIN 91.5 | LUB: Mobil Polyrex EM | | | | | | | | |
| MOTOR WEIGHT 521 | LBS | CONNECTION 12 Lead 2Δ/Δ | | SER NO | | | | | | | | |
| General purpose use on industrial machinery installed in environments with minimal dirt and moisture. Hernando, Mississippi | | | | | | | | CC082A | | | | |

APPLICATIONS:

General purpose use on pumps, fans, blowers, compressors, conveyors, material handling and other industrial machinery installed in environments with minimal dirt and moisture.