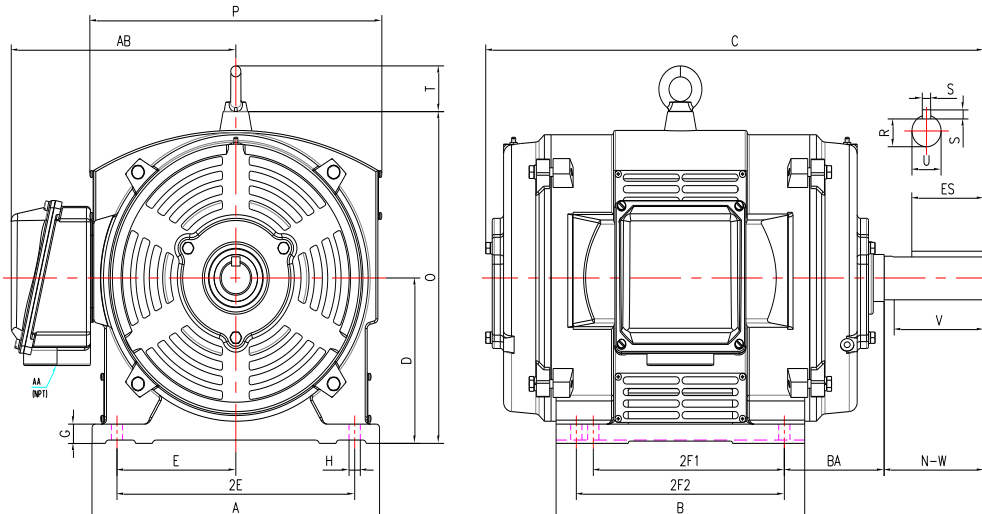


PE324TS-40-4-ODP

GENERAL PURPOSE ELECTRIC MOTOR
 NEMA PREMIUM EFFICIENCY
 OPEN DRIP PROOF
 CAST IRON CONSTRUCTION
 INVERTER DUTY 10:1 CT; 20:1 VT - NEMA MG1 PART 31



DIMENSIONS

HP	RPM	Frame	MOUNTING														
			A	B	C	D	G	H	J	E	2E	2F1	2F2	O	P	T	BA
40	1800	324TS	14.6	13.95	25.6	8	0.85	0.66	NA	6.25	12.5	10.5	12	16.1	15.35	2.6	5.25

Shaft Extension, Key Set						Conduit Box		Bearings		Mount
U	V	R	S	ES	N-W	AA	AB	DE	ODE	
1.875	3.5	1.591	0.5	2.03	3.75	2	11.4	6312	6312	F1

BEARING LUBRICATION: The bearings come lubricated with Mobil Polyrex EM Polyurea Grease. It is recommended that you add some additional lubrication when the motor is installed.

Three options (brands) for suitable lubrication include, but are not limited to, the following:

- 1.) Mobil Polyrex EM
- 2.) Citco Polyurea MP
- 3.) Conoco Phillips Polytac EP





PE324TS-40-4-ODP

GENERAL PURPOSE ELECTRIC MOTOR
NEMA PREMIUM EFFICIENCY
OPEN DRIP PROOF
CAST IRON CONSTRUCTION
INVERTER DUTY 10:1 CT; 20:1 VT - NEMA MG1 PART 31

PERFORMANCE DATA

HP	RPM	Frame	Voltage	Frequency (Hz)	Full Load S.F.	Insulation Class	NEMA Design	Slip (%)	NEMA Code	Enclosure Type	IP Rating	Max. Ambient
40	1780	324TS	208-230/460	60	1.15	F	B	1.1	G	ODP	23	40 °C

Amps (460V)		Efficiency (%)			Power Factor			Torque (ft-lb)			DE Bearing	ODE Bearing	Connection	Weight (lbs.)
FLA	LRA	100%	75%	50%	100%	75%	50%	FLT	LRT %	BDT %				
48	290	94.1	94.0	93.6	0.83	0.79	0.70	118.8	170	250	6312	6312	12 Lead 2Δ/Δ	521

NAME PLATE

		AC INDUCTION MOTOR INVERTER DUTY 20:1 VT; 10:1 CT								CONNECTION DIAGRAMS			
CAT NO.		PE324TS-40-4-ODP				FRAME		324TS		PHASE 3			
HZ		60		S.F. 1.15		HZ 50		S.F. 1.0		ENCL ODP		IP 23	
HP		40		RPM 1780		HP 40		RPM 1470		DUTY CONT		DES B	
VOLTS		208-230/460				VOLTS		190/380		AMB 40 °C		INS F	
AMPS		106 - 96 / 48		AMPS		115/58		DE BRG		6312			
CODE		G		P.F. 0.83		CODE D		P.F. 0.85		ODE BRG 6312			
EFF		94.1		MIN 93.0		EFF 92.8		MIN 91.5		LUB: Mobil Polyrex EM			
MOTOR WEIGHT		521		LBS		CONNECTION			12 Lead 2Δ/Δ		SER NO		
General purpose use on industrial machinery installed in environments with minimal dirt and moisture. Hermando, Mississippi												CC082A	
208-230V 													
460V 													

APPLICATIONS:

General purpose use on pumps, fans, blowers, compressors, conveyors, material handling and other industrial machinery installed in environments with minimal dirt and moisture.