



PE326T-25-8C

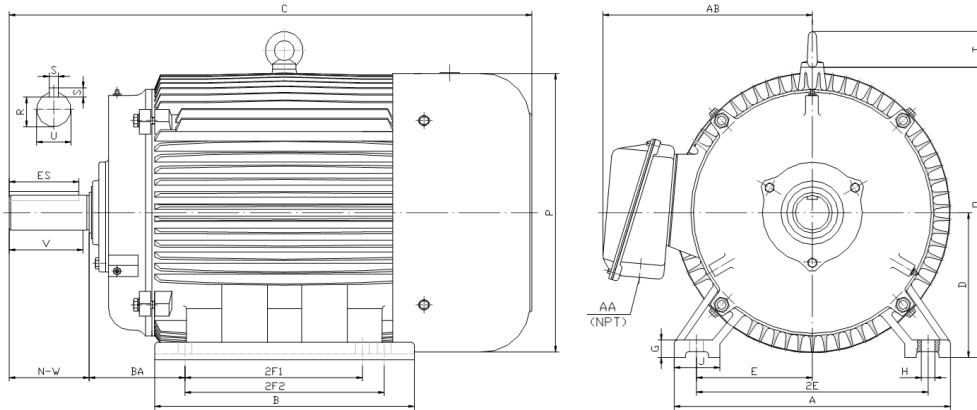
CRUSHER DUTY ELECTRIC MOTOR

NEMA PREMIUM EFFICIENCY

TOTALLY ENCLOSED FAN COOLED

INVERTER DUTY 10:1 CT; 20:1 VT - NEMA MG1 PART 31

Factory Certified for T2B Class I, Division II, Groups A,B,C & D and Class II, Division II, Groups F & G



DIMENSIONS

HP	RPM	Frame	MOUNTING														
			A	B	C	D	G	H	J	E	2E	2F1	2F2	O	P	T	BA
25	900	326T	15.5	14.7	31.3	8	1	0.66	2.75	6.25	12.5	10.5	12	15.9	15.7	2.6	5.25

Shaft Extension, Key Set						Conduit Box		Bearings		Mount
U	V	R	S	ES	N-W	AA	AB	DE	ODE	
2.125	5	1.845	0.5	3.91	5.25	2	12.3	6312	6312	F1

BEARING LUBRICATION: The bearings come lubricated with Mobil Polyrex EM Polyurea Grease. It is recommended that you add some additional lubrication when the motor is installed.

Three options (brands) for suitable lubrication include, but are not limited to, the following:

- 1.) Mobil Polyrex EM
- 2.) Citco Polyurea MP
- 3.) Conoco Phillips Polytac EP





PE326T-25-8C

CRUSHER DUTY ELECTRIC MOTOR

NEMA PREMIUM EFFICIENCY

TOTALLY ENCLOSED FAN COOLED

INVERTER DUTY 10:1 CT; 20:1 VT - NEMA MG1 PART 31

Factory Certified for T2B Class I, Division II, Groups A,B,C & D and Class II, Division II, Groups F & G

PERFORMANCE DATA

HP	RPM	Frame	Voltage	Frequency (Hz)	Full Load S.F.	Insulation Class	NEMA Design	Slip (%)	NEMA Code	Enclosure Type	IP Rating	Max. Ambient
25	880	326T	230/460	60	1.15	F	C	2.2	G	TEFC	55	40 °C

Amps (460V)		Efficiency (%)			Power Factor			Torque (ft-lb)			DE Bearing	ODE Bearing	Connection	Weight (lbs.)
FLA	LRA	100%	75%	50%	100%	75%	50%	FLT	LRT %	BDT %				
35	182	90.2	90.0	89.0	0.75	0.59	0.45	150	205	290	6312	6312	12 Lead 2Δ/Δ	508

*Usable at 208 Volts

NAME PLATE

		AC INDUCTION MOTOR INVERTER DUTY 20:1 VT; 10:1 CT									CONNECTION DIAGRAMS 230V		
CAT NO. PE326T-25-8C		FRAME 326T		PHASE 3									
HZ 60	S.F. 1.15	HZ 50	S.F. 1.0	ENCL TEFC	IP 55								
HP 25	RPM 880	HP 25	RPM 735	DUTY CONT	DES C								
VOLTS 230/460		VOLTS 190/380		AMB 40 °C	INS F								
AMPS 70 / 35		AMPS 84/42		DE BRG 6312									
CODE G	P.F. 0.75	CODE F	P.F. 0.77	ODE BRG 6312									
EFF 90.2	MIN 88.7	EFF 88.5	MIN 88.0	LUB: Mobil Polyrex EM									
MOTOR WEIGHT 508 LBS		CONNECTION 12 Lead 2Δ/Δ		SER NO									
Special purpose use on crushing and pulverizing equipment.													
Hernando, Mississippi						CC082A							
								460V 					

APPLICATIONS:

Special purpose use on crushing and pulverizing equipment. Other industrial machinery requiring extremely high starting torques and breakdown torques. Suitable for use with variable frequency drives.