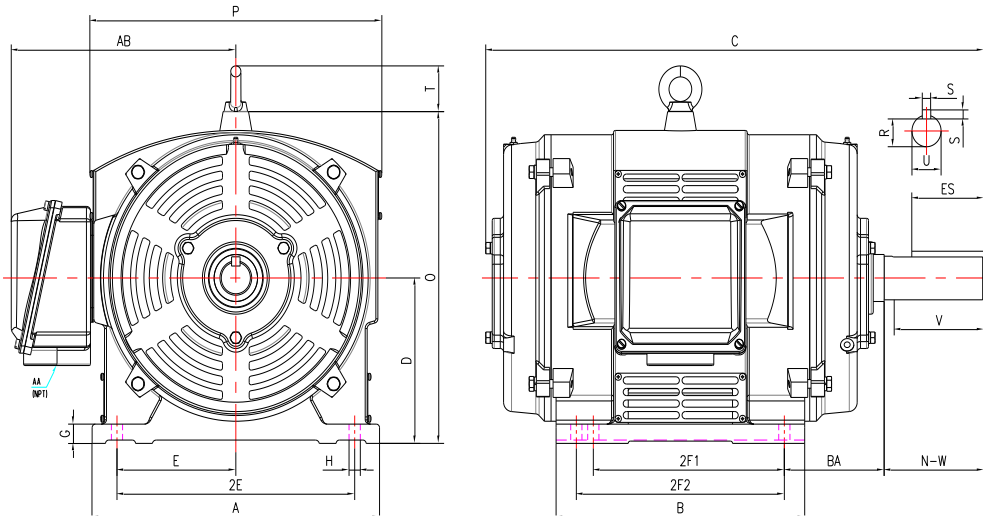




PE326T-50-4-ODP

GENERAL PURPOSE ELECTRIC MOTOR
NEMA PREMIUM EFFICIENCY
OPEN DRIP PROOF
CAST IRON CONSTRUCTION
INVERTER DUTY 10:1 CT; 20:1 VT - NEMA MG1 PART 31



DIMENSIONS

HP	RPM	Frame	MOUNTING														
			A	B	C	D	G	H	J	E	2E	2F1	2F2	O	P	T	BA
50	1800	326T	14.6	13.95	27.1	8	0.85	0.66	NA	6.25	12.5	10.5	12	16.1	15.35	2.6	5.25

Shaft Extension, Key Set						Conduit Box		Bearings		Mount
U	V	R	S	ES	N-W	AA	AB	DE	ODE	
2.125	5	1.845	0.5	3.91	5.25	2	11.4	6312	6312	F1

BEARING LUBRICATION: The bearings come lubricated with Mobil Polyrex EM Polyurea Grease. It is recommended that you add some additional lubrication when the motor is installed.

Three options (brands) for suitable lubrication include, but are not limited to, the following:

- 1.) Mobil Polyrex EM
- 2.) Citco Polyurea MP
- 3.) Conoco Phillips Polytac EP





PE326T-50-4-ODP

GENERAL PURPOSE ELECTRIC MOTOR
NEMA PREMIUM EFFICIENCY
OPEN DRIP PROOF
CAST IRON CONSTRUCTION
INVERTER DUTY 10:1 CT; 20:1 VT - NEMA MG1 PART 31

PERFORMANCE DATA

HP	RPM	Frame	Voltage	Frequency (Hz)	Full Load S.F.	Insulation Class	NEMA Design	Slip (%)	NEMA Code	Enclosure Type	IP Rating	Max. Ambient
50	1778	326T	208-230/460	60	1.15	F	B	1.2	G	ODP	23	40 °C

Amps (460V)		Efficiency (%)			Power Factor			Torque (ft-lb)			DE Bearing	ODE Bearing	Connection	Weight (lbs.)
FLA	LRA	100%	75%	50%	100%	75%	50%	FLT	LRT %	BDT %				
59	362	94.5	94.5	94.0	0.83	0.80	0.70	148.4	170	260	6312	6312	12 Lead 2Δ/Δ	569

NAME PLATE

		AC INDUCTION MOTOR INVERTER DUTY 20:1 VT; 10:1 CT								CONNECTION DIAGRAMS			
CAT NO.		PE326T-50-4-ODP				FRAME		326T		PHASE 3			
HZ	60	S.F.	1.15	HZ	50	S.F.	1.0	ENCL	ODP	IP	23		
HP	50	RPM	1778	HP	50	RPM	1475	DUTY CONT	DES	B			
VOLTS		208-230/460				VOLTS		190/380		AMB	40 °C	INS	F
AMPS		130 - 118 / 59		AMPS		143/72		DE BRG		6312			
CODE	G	P.F.	0.83	CODE	D	P.F.	0.85	ODE BRG		6312			
EFF	94.5	MIN	93.6	EFF	93.0	MIN	91.8	LUB: Mobil Polyrex EM					
MOTOR WEIGHT		569 LBS		CONNECTION			12 Lead 2Δ/Δ		SER NO				
General purpose use on industrial machinery installed in environments with minimal dirt and moisture. Hermando, Mississippi										CC082A			
208-230V 													
460V 													

APPLICATIONS:

General purpose use on pumps, fans, blowers, compressors, conveyors, material handling and other industrial machinery installed in environments with minimal dirt and moisture.