



PE326T-50-4C

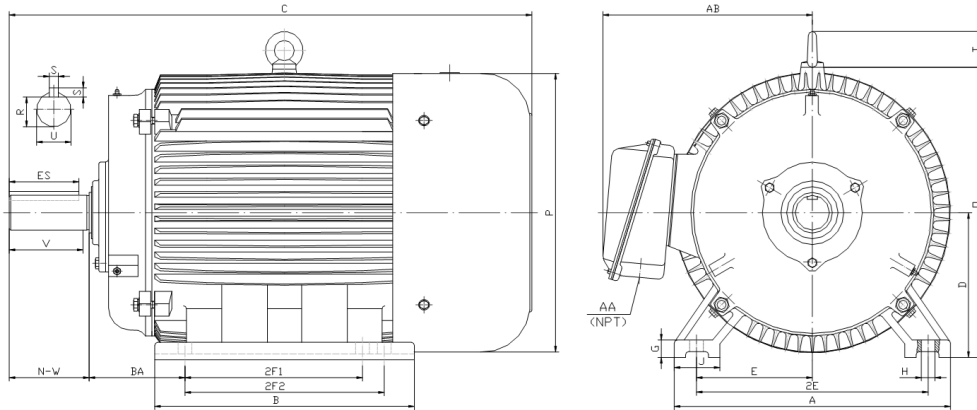
CRUSHER DUTY ELECTRIC MOTOR

NEMA PREMIUM EFFICIENCY

TOTALLY ENCLOSED FAN COOLED

INVERTER DUTY 10:1 CT; 20:1 VT - NEMA MG1 PART 31

Factory Certified for T2B Class I, Division II, Groups A,B,C & D and Class II, Division II, Groups F & G



DIMENSIONS

HP	RPM	Frame	MOUNTING														
			A	B	C	D	G	H	J	E	2E	2F1	2F2	O	P	T	BA
50	1800	326T	15.5	14.7	31.3	8	1	0.66	2.75	6.25	12.5	10.5	12	15.9	15.7	2.6	5.25

Shaft Extension, Key Set						Conduit Box		Bearings		Mount
U	V	R	S	ES	N-W	AA	AB	DE	ODE	
2.125	5	1.845	0.5	3.91	5.25	2	12.3	6312	6312	F1

BEARING LUBRICATION: The bearings come lubricated with Mobil Polyrex EM Polyurea Grease. It is recommended that you add some additional lubrication when the motor is installed.

Three options (brands) for suitable lubrication include, but are not limited to, the following:

- 1.) Mobil Polyrex EM
- 2.) Citco Polyurea MP
- 3.) Conoco Phillips Polytac EP





PE326T-50-4C

CRUSHER DUTY ELECTRIC MOTOR

NEMA PREMIUM EFFICIENCY

TOTALLY ENCLOSED FAN COOLED

INVERTER DUTY 10:1 CT; 20:1 VT - NEMA MG1 PART 31

Factory Certified for T2B Class I, Division II, Groups A,B,C & D and Class II, Division II, Groups F & G

PERFORMANCE DATA

HP	RPM	Frame	Voltage	Frequency (Hz)	Full Load S.F.	Insulation Class	NEMA Design	Slip (%)	NEMA Code	Enclosure Type	IP Rating	Max. Ambient
50	1780	326T	208-230/460	60	1.15	F	C	1.1	G	TEFC	55	40 °C

Amps (460V)		Efficiency (%)			Power Factor			Torque (ft-lb)			DE Bearing	ODE Bearing	Connection	Weight (lbs.)
FLA	LRA	100%	75%	50%	100%	75%	50%	FLT	LRT %	BDT %				
58.3	362	94.5	94.5	94.6	0.83	0.79	0.70	148.4	200	255	6312	6312	12 Lead 2Δ/Δ	580

NAME PLATE

		AC INDUCTION MOTOR INVERTER DUTY 20:1 VT; 10:1 CT								CONNECTION DIAGRAMS				
CAT NO. PE326T-50-4C		FRAME 326T		PHASE 3								208-230V 		
HZ 60	S.F. 1.15	HZ 50	S.F. 1.0	ENCL TEFC	IP 55									
HP 50	RPM 1780	HP 50	RPM 1475	DUTY CONT	DES C									
VOLTS 208-230/460		VOLTS 190/380		AMB 40 °C	INS F									
AMPS 124 - 116.6 / 58.3		AMPS 143/71.5		DE BRG 6312										
CODE G	P.F. 0.83	CODE F	P.F. 0.85	ODE BRG 6312										
EFF 94.5	MIN 93.6	EFF 93.0	MIN 91.8	LUB: Mobil Polyrex EM								460V 		
MOTOR WEIGHT 580 LBS		CONNECTION 12 Lead 2Δ/Δ		SER NO										
Special purpose use on crushing and pulverizing equipment. Hernando, Mississippi								CC082A						

APPLICATIONS:

Special purpose use on crushing and pulverizing equipment. Other industrial machinery requiring extremely high starting torques and breakdown torques. Suitable for use with variable frequency drives.