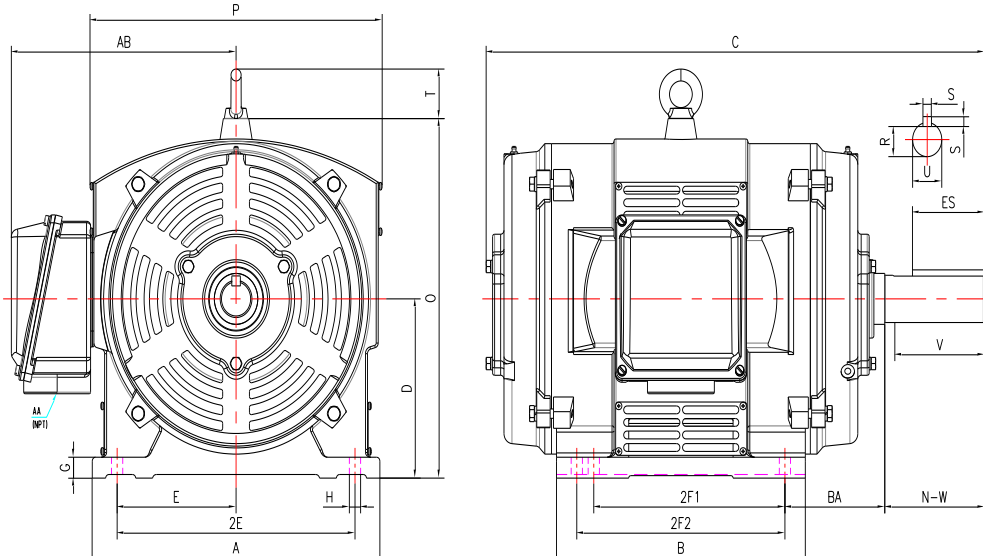


PE326TS-50-4-ODP

GENERAL PURPOSE ELECTRIC MOTOR
 NEMA PREMIUM EFFICIENCY
 OPEN DRIP PROOF
 CAST IRON CONSTRUCTION
 INVERTER DUTY 10:1 CT; 20:1 VT - NEMA MG1 PART 31



DIMENSIONS

HP	RPM	Frame	MOUNTING														
			A	B	C	D	G	H	J	E	2E	2F1	2F2	O	P	T	BA
50	1800	326TS	14.6	13.95	25.6	8	0.85	0.66	NA	6.25	12.5	10.5	12	16.1	15.35	2.6	5.25

Shaft Extension, Key Set						Conduit Box		Bearings		Mount
U	V	R	S	ES	N-W	AA	AB	DE	ODE	
1.875	3.5	1.591	0.5	2.03	3.75	2	11.4	6312	6312	F1

BEARING LUBRICATION: The bearings come lubricated with Mobil Polyrex EM Polyurea Grease. It is recommended that you add some additional lubrication when the motor is installed.

Three options (brands) for suitable lubrication include, but are not limited to, the following:

- 1.) Mobil Polyrex EM
- 2.) Citco Polyurea MP
- 3.) Conoco Phillips Polytac EP





PE326TS-50-4-ODP

GENERAL PURPOSE ELECTRIC MOTOR
NEMA PREMIUM EFFICIENCY
OPEN DRIP PROOF
CAST IRON CONSTRUCTION
INVERTER DUTY 10:1 CT; 20:1 VT - NEMA MG1 PART 31

PERFORMANCE DATA

HP	RPM	Frame	Voltage	Frequency (Hz)	Full Load S.F.	Insulation Class	NEMA Design	Slip (%)	NEMA Code	Enclosure Type	IP Rating	Max. Ambient
50	1778	326TS	230/460	60	1.15	F	B	1.2	G	ODP	23	40 °C

Amps (460V)		Efficiency (%)			Power Factor			Torque (ft-lb)			DE Bearing	ODE Bearing	Connection	Weight (lbs.)
FLA	LRA	100%	75%	50%	100%	75%	50%	FLT	LRT %	BDT %				
59	362	94.5	94.5	94.0	0.83	0.80	0.70	148.4	170	260	6312	6312	12 Lead 2Δ/Δ	569

*Usable at 208 Volts

NAME PLATE

		AC INDUCTION MOTOR INVERTER DUTY 20:1 VT; 10:1 CT								CONNECTION DIAGRAMS		
CAT NO.		PE326TS-50-4-ODP				FRAME		326TS		PHASE 3		
HZ 60		S.F. 1.15		HZ 50		S.F. 1.0		ENCL ODP		IP 23		
HP 50		RPM 1778		HP 50		RPM 1475		DUTY CONT		DES B		
VOLTS 230/460		VOLTS 190/380		AMB 40 °C		INS F						
AMPS 118 / 59		AMPS 143/72		DE BRG 6312								
CODE G		P.F. 0.83		CODE D		P.F. 0.85		ODE BRG 6312				
EFF 94.5		MIN 93.6		EFF 93.0		MIN 91.8		LUB: Mobil Polyrex EM				
MOTOR WEIGHT 569 LBS		CONNECTION 12 Lead 2Δ/Δ			SER NO							
General purpose use on industrial machinery installed in environments with minimal dirt and moisture.										CC082A		
Hernando, Mississippi												

APPLICATIONS:

General purpose use on pumps, fans, blowers, compressors, conveyors, material handling and other industrial machinery installed in environments with minimal dirt and moisture.