



PE326TSC-50-2

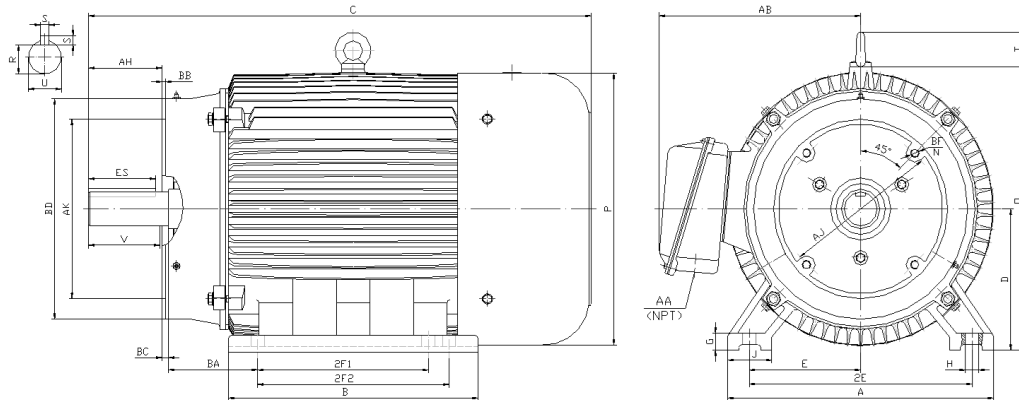
GENERAL PURPOSE ELECTRIC MOTOR

NEMA PREMIUM EFFICIENCY

TOTALLY ENCLOSED FAN COOLED - C-FLANGE WITH FEET

INVERTER DUTY 10:1 CT; 20:1 VT - NEMA MG1 PART 31

Factory Certified for T2B Class I, Division II, Groups A,B,C & D and Class II, Division II, Groups F & G



DIMENSIONS

HP	RPM	Frame	MOUNTING														
			A	B	C	D	G	H	J	E	2E	2F1	2F2	O	P	T	BA
50	3600	326TSC	15.5	14.7	29.8	8	1	0.66	2.75	6.25	12.5	10.5	12	15.9	15.7	2.6	5.25

FLANGE							Shaft Extension, Key Set					
AH	AJ	AK	BB	BC	BD	BF	U	V	R	S	ES	N-W
3.5	11	12.5	0.25	0.25	14	4*5/8-11	1.875	3.5	1.591	0.5	2.03	NA

Conduit Box		Bearings		Mount
AA	AB	DE	ODE	
2	12.3	6312	6312	F1

BEARING LUBRICATION: The bearings come lubricated with Mobil Polyrex EM Polyurea Grease. It is recommended that you add some additional lubrication when the motor is installed.

Three options (brands) for suitable lubrication include, but are not limited to, the following:

- 1.) Mobil Polyrex EM
- 2.) Citco Polyurea MP
- 3.) Conoco Phillips Polytac EP





PE326TSC-50-2

GENERAL PURPOSE ELECTRIC MOTOR

NEMA PREMIUM EFFICIENCY

TOTALLY ENCLOSED FAN COOLED - C-FLANGE WITH FEET

INVERTER DUTY 10:1 CT; 20:1 VT - NEMA MG1 PART 31

Factory Certified for T2B Class I, Division II, Groups A,B,C & D and Class II, Division II, Groups F & G

PERFORMANCE DATA

HP	RPM	Frame	Voltage	Frequency (Hz)	Full Load S.F.	Insulation Class	NEMA Design	Slip (%)	NEMA Code	Enclosure Type	IP Rating	Max. Ambient
50	3545	326TSC	208-230/460	60	1.15	F	B	1.5	G	TEFC	55	40 °C

Amps (460V)		Efficiency (%)			Power Factor			Torque (ft-lb)			DE Bearing	ODE Bearing	Connection	Weight (lbs.)
FLA	LRA	100%	75%	50%	100%	75%	50%	FLT	LRT %	BDT %				
58.1	362	93.0	92.1	91.4	0.91	0.88	0.81	73.9	140	250	6312	6312	12 Lead 2Δ/Δ	586

NAME PLATE

		AC INDUCTION MOTOR INVERTER DUTY 20:1 VT; 10:1 CT								CONNECTION DIAGRAMS				
CAT NO. PE326TSC-50-2		FRAME 326TSC		PHASE 3								208-230V 		
HZ 60	S.F. 1.15	HZ 50	S.F. 1.0	ENCL TEFC	IP 55									
HP 50	RPM 3545	HP 50	RPM 2930	DUTY CONT	DES B									
VOLTS 208-230/460		VOLTS 190/380		AMB 40 °C	INS F									
AMPS 124 - 116.2 / 58.1	AMPS 134/67		DE BRG 6312											
CODE G	P.F. 0.91	CODE F	P.F. 0.92	ODE BRG 6312										
EFF 93.0	MIN 91.7	EFF 91.3	MIN 90.0	LUB: Mobil Polyrex EM							460V 			
MOTOR WEIGHT 586 LBS	CONNECTION 12 Lead 2Δ/Δ		SER NO											
General purpose use on industrial machinery installed in damp, dusty or dirty environments. Hernando, Mississippi								CC082A						

APPLICATIONS:

General purpose use on pumps, fans, blowers, compressors, conveyors, material handling and other industrial machinery installed in damp, dusty or dirty environments.