

PE364TS-60-4-ODP

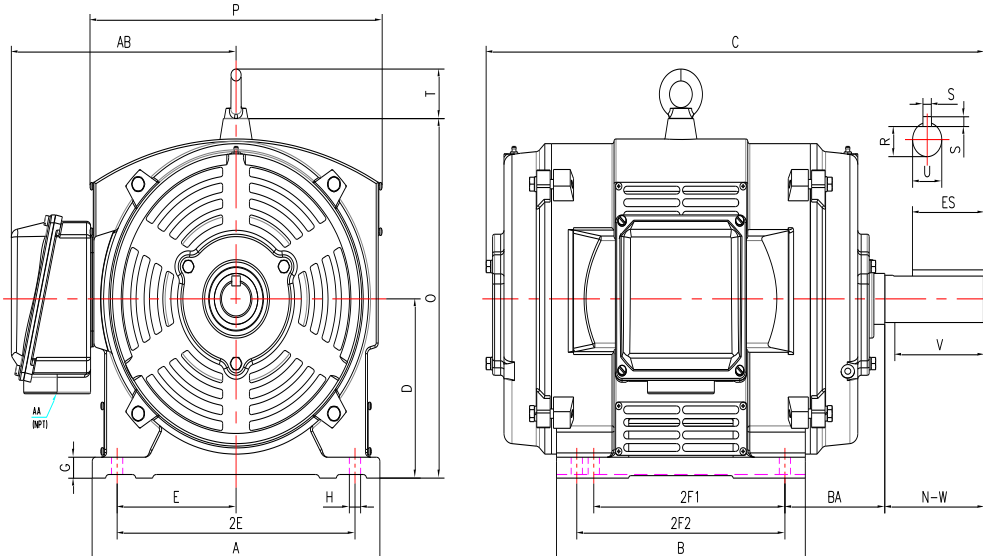
GENERAL PURPOSE ELECTRIC MOTOR

NEMA PREMIUM EFFICIENCY

OPEN DRIP PROOF

CAST IRON CONSTRUCTION

INVERTER DUTY 10:1 CT; 20:1 VT - NEMA MG1 PART 31



DIMENSIONS

HP	RPM	Frame	MOUNTING														
			A	B	C	D	G	H	J	E	2E	2F1	2F2	O	P	T	BA
60	1800	364TS	17	14.65	27.17	9	1.05	0.66	NA	7	14	11.25	12.25	18.1	17.2	2.6	5.88

Shaft Extension, Key Set						Conduit Box		Bearings		Mount
U	V	R	S	ES	N-W	AA	AB	DE	ODE	
1.875	3.5	1.591	0.5	2.03	3.75	3	12.4	6313	6313	F1

BEARING LUBRICATION: The bearings come lubricated with Mobil Polyrex EM Polyurea Grease. It is recommended that you add some additional lubrication when the motor is installed.

Three options (brands) for suitable lubrication include, but are not limited to, the following:

- 1.) Mobil Polyrex EM
- 2.) Citco Polyurea MP
- 3.) Conoco Phillips Polytac EP





PE364TS-60-4-ODP

GENERAL PURPOSE ELECTRIC MOTOR
NEMA PREMIUM EFFICIENCY
OPEN DRIP PROOF
CAST IRON CONSTRUCTION
INVERTER DUTY 10:1 CT; 20:1 VT - NEMA MG1 PART 31

PERFORMANCE DATA

HP	RPM	Frame	Voltage	Frequency (Hz)	Full Load S.F.	Insulation Class	NEMA Design	Slip (%)	NEMA Code	Enclosure Type	IP Rating	Max. Ambient
60	1780	364TS	230/460	60	1.15	F	B	1.1	G	ODP	23	40 °C

Amps (460V)		Efficiency (%)			Power Factor			Torque (ft-lb)			DE Bearing	ODE Bearing	Connection	Weight (lbs.)
FLA	LRA	100%	75%	50%	100%	75%	50%	FLT	LRT %	BDT %				
70	435	95.0	94.5	95.0	0.84	0.82	0.74	177.55	160	240	6313	6313	12 Lead 2Δ/Δ	726

*Usable at 208 Volts

NAME PLATE

		AC INDUCTION MOTOR INVERTER DUTY 20:1 VT; 10:1 CT								CONNECTION DIAGRAMS			
CAT NO.		PE364TS-60-4-ODP				FRAME		364TS		PHASE 3			
HZ	60	S.F.	1.15	HZ	50	S.F.	1.0	ENCL	ODP	IP	23		
HP	60	RPM	1780	HP	60	RPM	1480	DUTY	CONT	DES	B		
VOLTS		230/460		VOLTS		190/380		AMB		40 °C		INS	F
AMPS		140 / 70		AMPS		168/84		DE BRG		6313			
CODE	G	P.F.	0.84	CODE	D	P.F.	0.86	ODE BRG		6313			
EFF	95.0	MIN	94.1	EFF	93.8	MIN	92.6	LUB:		Mobil Polyrex EM			
MOTOR WEIGHT		726 LBS		CONNECTION		12 Lead 2Δ/Δ		SER NO					
General purpose use on industrial machinery installed in environments with minimal dirt and moisture.										CC082A			
Hernando, Mississippi													

APPLICATIONS:

General purpose use on pumps, fans, blowers, compressors, conveyors, material handling and other industrial machinery installed in environments with minimal dirt and moisture.