

PE365T-75-4-ODP

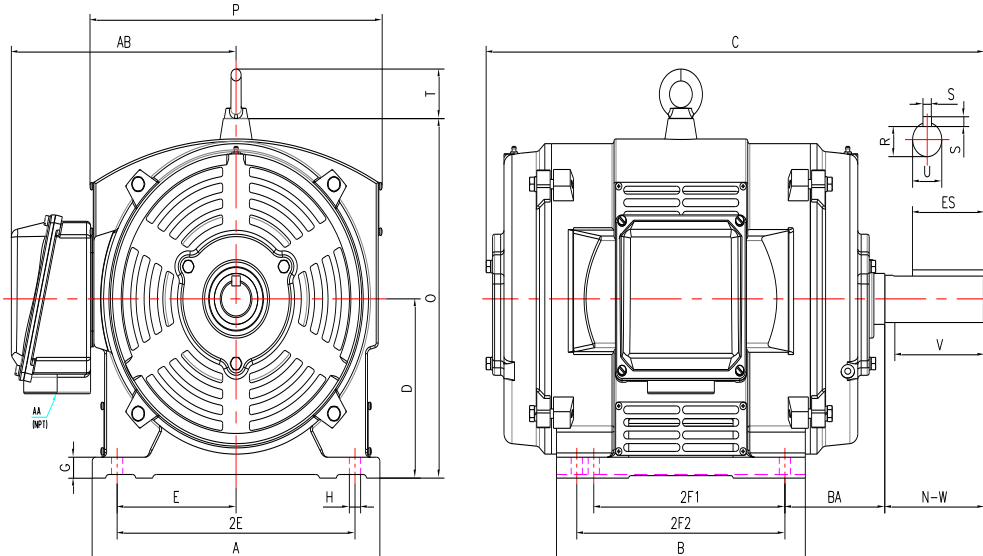
GENERAL PURPOSE ELECTRIC MOTOR

NEMA PREMIUM EFFICIENCY

OPEN DRIP PROOF

CAST IRON CONSTRUCTION

INVERTER DUTY 10:1 CT; 20:1 VT - NEMA MG1 PART 31



DIMENSIONS

HP	RPM	Frame	MOUNTING														
			A	B	C	D	G	H	J	NA	E	2E	2F1	2F2	O	P	T
75	1800	365T	17	14.65	29.3	9	1.05	0.66	NA	7	14	11.25	12.25	18.1	17.2	2.6	5.88

Shaft Extension, Key Set						Conduit Box		Bearings		Mount
U	V	R	S	ES	N-W	AA	AB	DE	ODE	
2.375	5.62	2.021	0.625	4.28	5.88	3	12.4	6313	6313	F1

BEARING LUBRICATION: The bearings come lubricated with Mobil Polyrex EM Polyurea Grease. It is recommended that you add some additional lubrication when the motor is installed.

Three options (brands) for suitable lubrication include, but are not limited to, the following:

- 1.) Mobil Polyrex EM
- 2.) Citco Polyurea MP
- 3.) Conoco Phillips Polytac EP





PE365T-75-4-ODP

GENERAL PURPOSE ELECTRIC MOTOR
NEMA PREMIUM EFFICIENCY
OPEN DRIP PROOF
CAST IRON CONSTRUCTION
INVERTER DUTY 10:1 CT; 20:1 VT - NEMA MG1 PART 31

PERFORMANCE DATA

HP	RPM	Frame	Voltage	Frequency (Hz)	Full Load S.F.	Insulation Class	NEMA Design	Slip (%)	NEMA Code	Enclosure Type	IP Rating	Max. Ambient
75	1780	365T	230/460	60	1.15	F	B	1.1	G	ODP	23	40 °C

Amps (460V)		Efficiency (%)			Power Factor			Torque (ft-lb)			DE Bearing	ODE Bearing	Connection	Weight (lbs.)
FLA	LRA	100%	75%	50%	100%	75%	50%	FLT	LRT %	BDT %				
87	542	95.0	95.0	94.5	0.85	0.82	0.75	221.95	170	250	6313	6313	12 Lead 2Δ/Δ	754

*Usable at 208 Volts

NAME PLATE

		AC INDUCTION MOTOR INVERTER DUTY 20:1 VT; 10:1 CT								CONNECTION DIAGRAMS													
CAT NO.		PE365T-75-4-ODP				FRAME		365T		PHASE 3													
HZ		60		S.F.		1.15		HZ		50		S.F.		1.0		ENCL		ODP		IP		23	
HP		75		RPM		1780		HP		75		RPM		1480		DUTY		CONT		DES		B	
VOLTS		230/460				VOLTS		190/380		AMB		40 °C		INS		F							
AMPS		174 / 87				AMPS		210/105		DE BRG		6313											
CODE		G		P.F.		0.85		CODE		F		P.F.		0.86		ODE BRG		6313					
EFF		95.0		MIN		94.1		EFF		93.8		MIN		92.6		LUB:		Mobil Polyrex EM					
MOTOR WEIGHT		754		LBS		CONNECTION		12 Lead 2Δ/Δ				SER NO											
General purpose use on industrial machinery installed in environments with minimal dirt and moisture. Hernando, Mississippi								CC082A				CONNECTION DIAGRAMS 230V 460V 											

APPLICATIONS:

General purpose use on pumps, fans, blowers, compressors, conveyors, material handling and other industrial machinery installed in environments with minimal dirt and moisture.