

## PE365TS-100-2-ODP

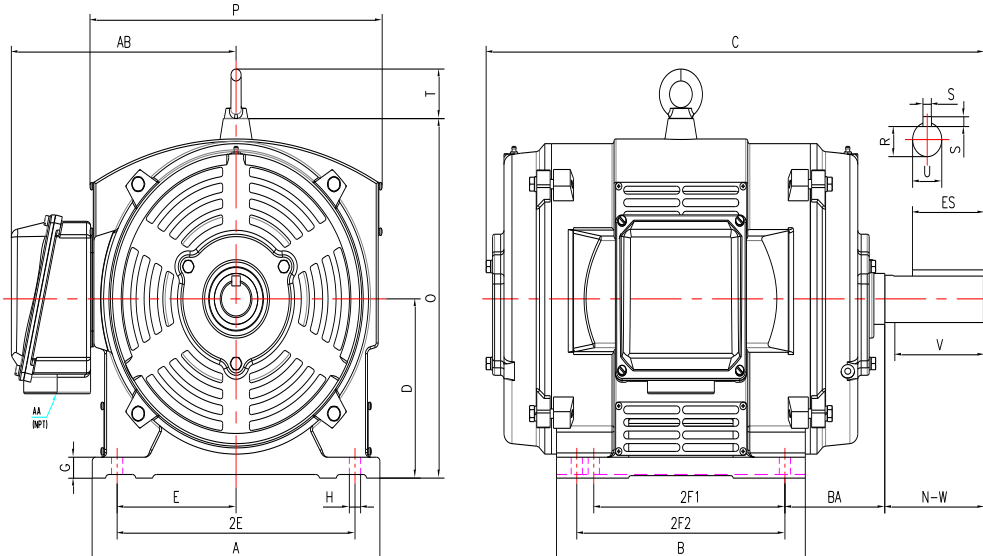
GENERAL PURPOSE ELECTRIC MOTOR

NEMA PREMIUM EFFICIENCY

OPEN DRIP PROOF

CAST IRON CONSTRUCTION

INVERTER DUTY 10:1 CT; 20:1 VT - NEMA MG1 PART 31



### DIMENSIONS

HP	RPM	Frame	MOUNTING														
			A	B	C	D	G	H	J	E	2E	2F1	2F2	O	P	T	BA
100	3600	365TS	17	14.65	27.17	9	1.05	0.66	NA	7	14	11.25	12.25	18.1	17.2	2.6	5.88

Shaft Extension, Key Set						Conduit Box		Bearings		Mount
U	V	R	S	ES	N-W	AA	AB	DE	ODE	
1.875	3.5	1.591	0.5	2.03	3.75	3	12.4	6313	6313	F1

**BEARING LUBRICATION:** The bearings come lubricated with Mobil Polyrex EM Polyurea Grease. It is recommended that you add some additional lubrication when the motor is installed.

Three options (brands) for suitable lubrication include, but are not limited to, the following:

- 1.) Mobil Polyrex EM
- 2.) Citco Polyurea MP
- 3.) Conoco Phillips Polytac EP





## PE365TS-100-2-ODP

**GENERAL PURPOSE ELECTRIC MOTOR**  
**NEMA PREMIUM EFFICIENCY**  
**OPEN DRIP PROOF**  
**CAST IRON CONSTRUCTION**  
**INVERTER DUTY 10:1 CT; 20:1 VT - NEMA MG1 PART 31**

### PERFORMANCE DATA

HP	RPM	Frame	Voltage	Frequency (Hz)	Full Load S.F.	Insulation Class	NEMA Design	Slip (%)	NEMA Code	Enclosure Type	IP Rating	Max. Ambient
100	3570	365TS	230/460	60	1.15	F	B	0.8	G	ODP	23	40 °C

Amps (460V)		Efficiency (%)			Power Factor			Torque (ft-lb)			DE Bearing	ODE Bearing	Connection	Weight (lbs.)
FLA	LRA	100%	75%	50%	100%	75%	50%	FLT	LRT %	BDT %				
111	725	93.6	93.0	92.5	0.89	0.87	0.80	147.2	190	245	6313	6313	12 Lead 2Δ/Δ	737

\*Usable at 208 Volts

### NAME PLATE

		AC INDUCTION MOTOR INVERTER DUTY 20:1 VT; 10:1 CT								CONNECTION DIAGRAMS		
CAT NO. PE365TS-100-2-ODP		FRAME 365TS		PHASE 3		230V						
HZ 60	S.F. 1.15	HZ 50	S.F. 1.0	ENCL ODP	IP 23							
HP 100	RPM 3570	HP 100	RPM 2960	DUTY CONT	DES B	460V						
VOLTS 230/460		VOLTS 190/380		AMB 40 °C	INS F							
AMPS 222 / 111		AMPS 272/136		DE BRG 6313								
CODE G	P.F. 0.89	CODE E	P.F. 0.90	ODE BRG 6313								
EFF 93.6	MIN 92.4	EFF 92.0	MIN 90.8	LUB: Mobil Polyrex EM								
MOTOR WEIGHT 737	LBS	CONNECTION 12 Lead 2Δ/Δ		SER NO								
General purpose use on industrial machinery installed in environments with minimal dirt and moisture. Hernando, Mississippi								CC082A				

### APPLICATIONS:

General purpose use on pumps, fans, blowers, compressors, conveyors, material handling and other industrial machinery installed in environments with minimal dirt and moisture.