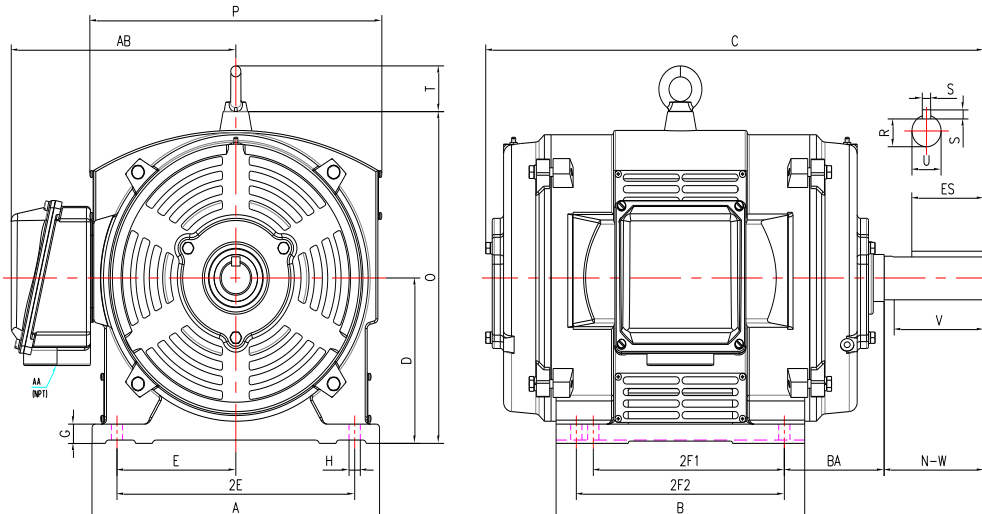


PE365TS-75-4-ODP

GENERAL PURPOSE ELECTRIC MOTOR
 NEMA PREMIUM EFFICIENCY
 OPEN DRIP PROOF
 CAST IRON CONSTRUCTION
 INVERTER DUTY 10:1 CT; 20:1 VT - NEMA MG1 PART 31



DIMENSIONS

HP	RPM	Frame	MOUNTING														
			A	B	C	D	G	H	J	E	2E	2F1	2F2	O	P	T	BA
75	1800	365TS	17	14.65	27.17	9	1.05	0.66	NA	7	14	11.25	12.25	18.1	17.2	2.6	5.88

Shaft Extension, Key Set						Conduit Box		Bearings		Mount
U	V	R	S	ES	N-W	AA	AB	DE	ODE	
1.875	3.5	1.591	0.5	2.03	3.75	3	12.4	6313	6313	F1

BEARING LUBRICATION: The bearings come lubricated with Mobil Polyrex EM Polyurea Grease. It is recommended that you add some additional lubrication when the motor is installed.

Three options (brands) for suitable lubrication include, but are not limited to, the following:

- 1.) Mobil Polyrex EM
- 2.) Citco Polyurea MP
- 3.) Conoco Phillips Polytac EP





PE365TS-75-4-ODP

GENERAL PURPOSE ELECTRIC MOTOR
NEMA PREMIUM EFFICIENCY
OPEN DRIP PROOF
CAST IRON CONSTRUCTION
INVERTER DUTY 10:1 CT; 20:1 VT - NEMA MG1 PART 31

PERFORMANCE DATA

HP	RPM	Frame	Voltage	Frequency (Hz)	Full Load S.F.	Insulation Class	NEMA Design	Slip (%)	NEMA Code	Enclosure Type	IP Rating	Max. Ambient
75	1780	365TS	208-230-460	60	1.15	F	B	1.1	G	ODP	23	40 °C

Amps (460V)		Efficiency (%)			Power Factor			Torque (ft-lb)			DE Bearing	ODE Bearing	Connection	Weight (lbs.)
FLA	LRA	100%	75%	50%	100%	75%	50%	FLT	LRT %	BDT %				
87	542	95.0	95.0	94.5	0.85	0.82	0.75	221.95	170	250	6313	6313	12 Lead 2Δ/Δ	754

NAME PLATE

		AC INDUCTION MOTOR INVERTER DUTY 20:1 VT; 10:1 CT								CONNECTION DIAGRAMS			
CAT NO.		PE365TS-75-4-ODP				FRAME		365TS		PHASE 3			
HZ	60	S.F.	1.15	HZ	50	S.F.	1.0	ENCL	ODP	IP	23		
HP	75	RPM	1780	HP	75	RPM	1480	DUTY CONT	DES	B			
VOLTS		208-230-460				VOLTS		190/380		AMB	40 °C	INS	F
AMPS		191 - 174 / 87		AMPS		210/105		DE BRG		6313			
CODE	G	P.F.	0.85	CODE	F	P.F.	0.86	ODE BRG		6313			
EFF	95.0	MIN	94.1	EFF	93.8	MIN	92.6	LUB: Mobil Polyrex EM					
MOTOR WEIGHT		754 LBS		CONNECTION			12 Lead 2Δ/Δ		SER NO				
General purpose use on industrial machinery installed in environments with minimal dirt and moisture.													
Hermando, Mississippi													
								CC082A					

APPLICATIONS:

General purpose use on pumps, fans, blowers, compressors, conveyors, material handling and other industrial machinery installed in environments with minimal dirt and moisture.