



## PE404T-50-8C

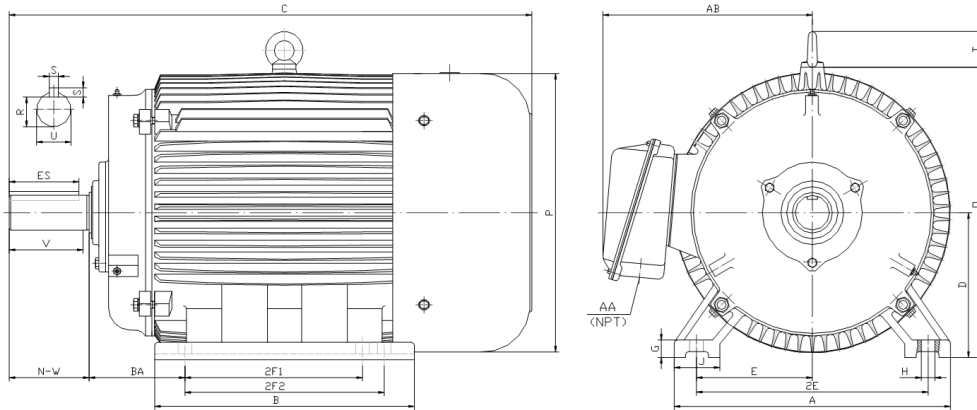
CRUSHER DUTY ELECTRIC MOTOR

NEMA PREMIUM EFFICIENCY

TOTALLY ENCLOSED FAN COOLED

INVERTER DUTY 10:1 CT; 20:1 VT - NEMA MG1 PART 31

Factory Certified for T2B Class I, Division II, Groups A,B,C & D and Class II, Division II, Groups F & G



### DIMENSIONS

HP	RPM	Frame	MOUNTING														
			A	B	C	D	G	H	J	E	2E	2F1	2F2	O	P	T	BA
50	900	404T	19.3	16.4	36.5	10	1.18	0.81	3.15	8	16	12.25	NA	19.8	19.1	2.6	6.62

Shaft Extension, Key Set						Conduit Box		Bearings		Mount
U	V	R	S	ES	N-W	AA	AB	DE	ODE	
2.875	7	2.45	0.75	5.65	7.25	3	15.6	NU315	6314	F1

**BEARING LUBRICATION:** The bearings come lubricated with Mobil Polyrex EM Polyurea Grease. It is recommended that you add some additional lubrication when the motor is installed.

Three options (brands) for suitable lubrication include, but are not limited to, the following:

- 1.) Mobil Polyrex EM
- 2.) Citco Polyurea MP
- 3.) Conoco Phillips Polytac EP





## PE404T-50-8C

**CRUSHER DUTY ELECTRIC MOTOR**

**NEMA PREMIUM EFFICIENCY**

**TOTALLY ENCLOSED FAN COOLED**

**INVERTER DUTY 10:1 CT; 20:1 VT - NEMA MG1 PART 31**

**Factory Certified for T2B Class I, Division II, Groups A,B,C & D and Class II, Division II, Groups F & G**

### PERFORMANCE DATA

HP	RPM	Frame	Voltage	Frequency (Hz)	Full Load S.F.	Insulation Class	NEMA Design	Slip (%)	NEMA Code	Enclosure Type	IP Rating	Max. Ambient
50	885	404T	208-230/460	60	1.15	F	C	1.7	G	TEFC	55	40 °C

Amps (460V)		Efficiency (%)			Power Factor			Torque (ft-lb)			DE Bearing	ODE Bearing	Connection	Weight (lbs.)
FLA	LRA	100%	75%	50%	100%	75%	50%	FLT	LRT %	BDT %				
63	362	92.4	92.4	91.5	0.80	0.69	0.56	298	200	240	NU315	6314	12 Lead 2Δ/Δ	902

### NAME PLATE

		AC INDUCTION MOTOR INVERTER DUTY 20:1 VT; 10:1 CT								CONNECTION DIAGRAMS					
CAT NO. PE404T-50-8C		FRAME 404T		PHASE 3											
HZ 60	S.F. 1.15	HZ 50	S.F. 1.0	ENCL TEFC	IP 55										
HP 50	RPM 885	HP 50	RPM 740	DUTY CONT	DES C										
VOLTS 208-230/460		VOLTS 190/380		AMB 40 °C	INS F										
AMPS 139 - 126 / 63	AMPS 151/75.5		DE BRG NU315												
CODE G	P.F. 0.80	CODE F	P.F. 0.82	ODE BRG 6314											
EFF 92.4	MIN 91.0	EFF 90.4	MIN 89.0	LUB: Mobil Polyrex EM											
MOTOR WEIGHT 902	LBS	CONNECTION 12 Lead 2Δ/Δ		SER NO											
Special purpose use on crushing and pulverizing equipment.														CC082A	
Hernando, Mississippi															

### APPLICATIONS:

Special purpose use on crushing and pulverizing equipment. Other industrial machinery requiring extremely high starting torques and breakdown torques. Suitable for use with variable frequency drives.