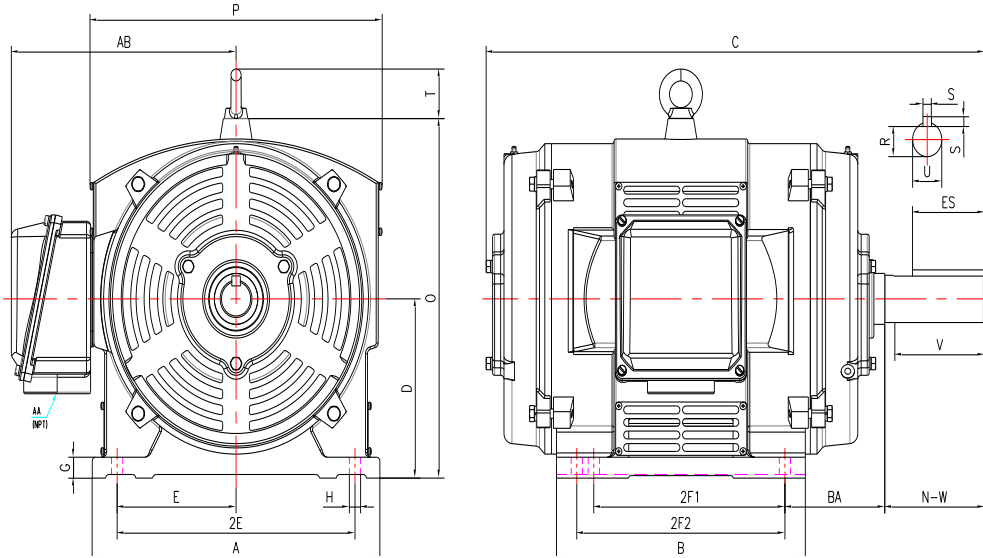




PE404TS-100-4-ODP

GENERAL PURPOSE ELECTRIC MOTOR
NEMA PREMIUM EFFICIENCY
OPEN DRIP PROOF
CAST IRON CONSTRUCTION
INVERTER DUTY 10:1 CT; 20:1 VT - NEMA MG1 PART 31



DIMENSIONS

HP	RPM	Frame	MOUNTING														
			A	B	C	D	G	H	J	E	2E	2F1	2F2	O	P	T	BA
100	1800	404TS	19.1	17	30.3	10	1.15	0.81	NA	8	16	12.25	13.75	21	20.25	2.6	6.62

Shaft Extension, Key Set						Conduit Box		Bearings		Mount
U	V	R	S	ES	N-W	AA	AB	DE	ODE	
2.125	4	1.845	0.5	2.78	4.25	3	14.5	6318	6314	F1

BEARING LUBRICATION: The bearings come lubricated with Mobil Polyrex EM Polyurea Grease. It is recommended that you add some additional lubrication when the motor is installed.

Three options (brands) for suitable lubrication include, but are not limited to, the following:

- 1.) Mobil Polyrex EM
- 2.) Citco Polyurea MP
- 3.) Conoco Phillips Polytac EP





PE404TS-100-4-ODP

GENERAL PURPOSE ELECTRIC MOTOR
NEMA PREMIUM EFFICIENCY
OPEN DRIP PROOF
CAST IRON CONSTRUCTION
INVERTER DUTY 10:1 CT; 20:1 VT - NEMA MG1 PART 31

PERFORMANCE DATA

HP	RPM	Frame	Voltage	Frequency (Hz)	Full Load S.F.	Insulation Class	NEMA Design	Slip (%)	NEMA Code	Enclosure Type	IP Rating	Max. Ambient
100	1785	404TS	230/460	60	1.15	F	B	0.8	G	ODP	23	40 °C

Amps (460V)		Efficiency (%)			Power Factor			Torque (ft-lb)			DE Bearing	ODE Bearing	Connection	Weight (lbs.)
FLA	LRA	100%	75%	50%	100%	75%	50%	FLT	LRT %	BDT %				
112	725	95.4	95.0	94.6	0.87	0.84	0.77	296	150	240	6318	6314	12 Lead 2Δ/Δ	1115

*Usable at 208 Volts

NAME PLATE

		AC INDUCTION MOTOR INVERTER DUTY 20:1 VT; 10:1 CT								CONNECTION DIAGRAMS		
CAT NO. PE404TS-100-4-ODP		FRAME 404TS		PHASE 3		230V 						
HZ 60	S.F. 1.15	HZ 50	S.F. 1.0	ENCL ODP	IP 23							
HP 100	RPM 1785	HP 100	RPM 1485	DUTY CONT	DES B							
VOLTS 230/460		VOLTS 190/380		AMB 40 °C	INS F							
AMPS 224 / 112		AMPS 274/137		DE BRG 6318								
CODE G	P.F. 0.87	CODE D	P.F. 0.88	ODE BRG 6314								
EFF 95.4	MIN 94.5	EFF 94.1	MIN 93.2	LUB: Mobil Polyrex EM								
MOTOR WEIGHT 1115 LBS	CONNECTION 12 Lead 2Δ/Δ		SER NO									
General purpose use on industrial machinery installed in environments with minimal dirt and moisture. Hernando, Mississippi								CC082A				
						460V 						

APPLICATIONS:

General purpose use on pumps, fans, blowers, compressors, conveyors, material handling and other industrial machinery installed in environments with minimal dirt and moisture.