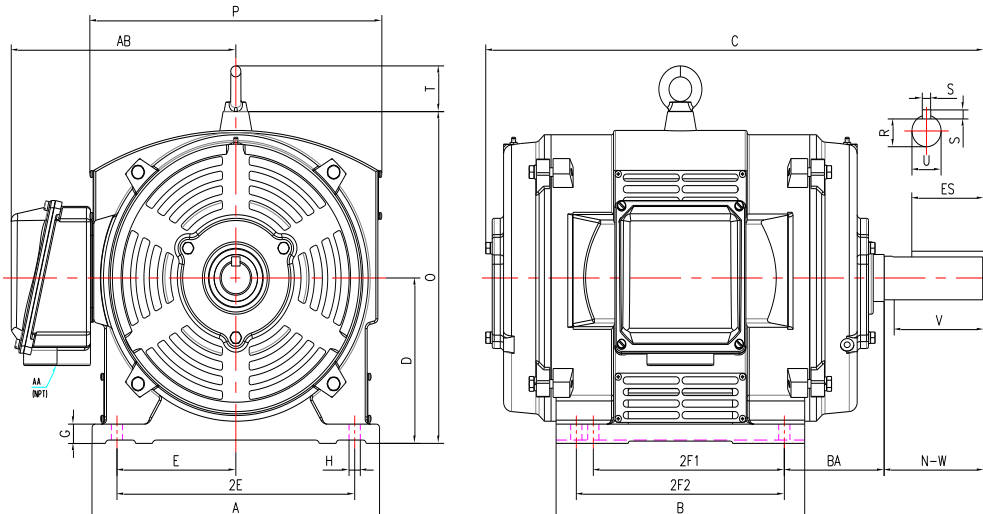




PE404TS-125-2-ODP

GENERAL PURPOSE ELECTRIC MOTOR
NEMA PREMIUM EFFICIENCY
OPEN DRIP PROOF
CAST IRON CONSTRUCTION
INVERTER DUTY 10:1 CT; 20:1 VT - NEMA MG1 PART 31



DIMENSIONS

HP	RPM	Frame	MOUNTING														
			A	B	C	D	G	H	J	E	2E	2F1	2F2	O	P	T	BA
125	3600	404TS	19.1	17	30.3	10	1.15	0.81	NA	8	16	12.25	13.75	21	20.25	2.6	6.62

Shaft Extension, Key Set						Conduit Box		Bearings		Mount
U	V	R	S	ES	N-W	AA	AB	DE	ODE	
2.125	4	1.845	0.5	2.78	4.25	3	14.5	6314	6314	F1

BEARING LUBRICATION: The bearings come lubricated with Mobil Polyrex EM Polyurea Grease. It is recommended that you add some additional lubrication when the motor is installed.

Three options (brands) for suitable lubrication include, but are not limited to, the following:

- 1.) Mobil Polyrex EM
- 2.) Citco Polyurea MP
- 3.) Conoco Phillips Polytac EP





PE404TS-125-2-ODP

GENERAL PURPOSE ELECTRIC MOTOR
NEMA PREMIUM EFFICIENCY
OPEN DRIP PROOF
CAST IRON CONSTRUCTION
INVERTER DUTY 10:1 CT; 20:1 VT - NEMA MG1 PART 31

PERFORMANCE DATA

HP	RPM	Frame	Voltage	Frequency (Hz)	Full Load S.F.	Insulation Class	NEMA Design	Slip (%)	NEMA Code	Enclosure Type	IP Rating	Max. Ambient
125	3575	404TS	460	60	1.15	F	B	0.7	G	ODP	23	40 °C

Amps (460V)		Efficiency (%)			Power Factor			Torque (ft-lb)			DE Bearing	ODE Bearing	Connection	Weight (lbs.)
FLA	LRA	100%	75%	50%	100%	75%	50%	FLT	LRT %	BDT %				
138	907	94.1	93.5	93.0	0.90	0.88	0.84	183.75	140	250	6314	6314	6 Lead Δ	1003

NAME PLATE

		AC INDUCTION MOTOR INVERTER DUTY 20:1 VT; 10:1 CT								CONNECTION DIAGRAMS																
CAT NO.		PE404TS-125-2-ODP				FRAME		404TS		PHASE		3		Across The Line 												
HZ		60		S.F.		1.15		HZ		50		S.F.		1.0		ENCL		ODP		IP		23				
HP		125		RPM		3575		HP		125		RPM		2980		DUTY CONT		DES		B						
VOLTS		460				VOLTS		380		AMB		40 °C		INS		F		PWS Start 								
AMPS		138				AMPS		164		DE BRG		6314														
CODE		G		P.F.		0.90		CODE		D		P.F.		0.92		ODE BRG		6314								
EFF		94.1		MIN		93.0		EFF		92.4		MIN		91.3		LUB:		Mobil Polyrex EM		PWS Run 						
MOTOR WEIGHT		1003		LBS		CONNECTION		6 Lead Δ		SER NO																
General purpose use on industrial machinery installed in environments with minimal dirt and moisture. Hernando, Mississippi								C 272709		CC082A																

APPLICATIONS:

General purpose use on pumps, fans, blowers, compressors, conveyors, material handling and other industrial machinery installed in environments with minimal dirt and moisture.