



PE405TC-100-4

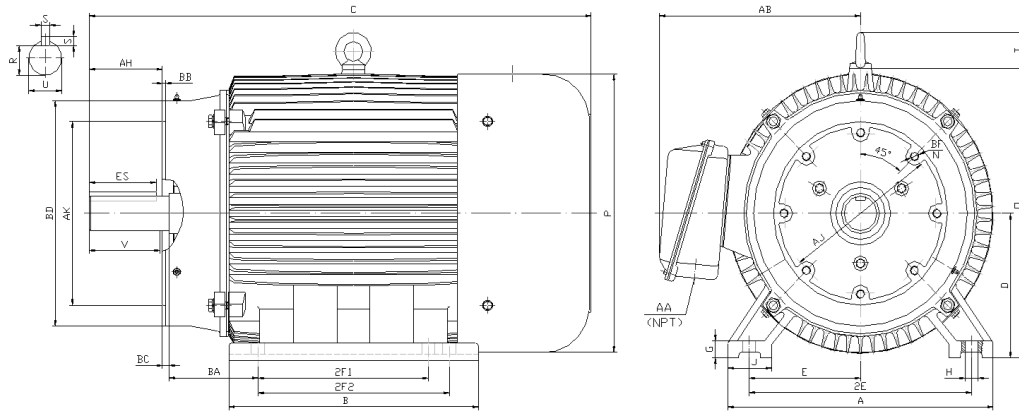
GENERAL PURPOSE ELECTRIC MOTOR

NEMA PREMIUM EFFICIENCY

TOTALLY ENCLOSED FAN COOLED - C-FLANGE WITH FEET

INVERTER DUTY 10:1 CT; 20:1 VT - NEMA MG1 PART 31

Factory Certified for T2B Class I, Division II, Groups A,B,C & D and Class II, Division II, Groups F & G



DIMENSIONS

| HP | RPM | Frame | MOUNTING | | | | | | | | | | | | | | |
|-----|------|-------|----------|------|----|----|------|------|------|---|----|-------|-------|------|------|-----|------|
| | | | A | B | C | D | G | H | J | E | 2E | 2F1 | 2F2 | O | P | T | BA |
| 100 | 1800 | 405TC | 19.3 | 17.9 | 38 | 10 | 1.18 | 0.81 | 3.15 | 8 | 16 | 12.25 | 13.75 | 21.1 | 21.6 | 2.6 | 6.62 |

| FLANGE | | | | | | | Shaft Extension, Key Set | | | | | | |
|--------|----|------|------|------|------|----------|--------------------------|---|------|------|------|-----|--|
| AH | AJ | AK | BB | BC | BD | BF | U | V | R | S | ES | N-W | |
| 7 | 11 | 12.5 | 0.25 | 0.25 | 15.5 | 8*5/8-11 | 2.875 | 7 | 2.45 | 0.75 | 5.65 | NA | |

| Conduit Box | | Bearings | | Mount |
|-------------|------|----------|------|-------|
| AA | AB | DE | ODE | |
| 3 | 16.6 | 6318 | 6314 | |

BEARING LUBRICATION: The bearings come lubricated with Mobil Polyrex EM Polyurea Grease. It is recommended that you add some additional lubrication when the motor is installed.

Three options (brands) for suitable lubrication include, but are not limited to, the following:

- 1.) Mobil Polyrex EM
- 2.) Citco Polyurea MP
- 3.) Conoco Phillips Polytac EP





PE405TC-100-4

GENERAL PURPOSE ELECTRIC MOTOR

NEMA PREMIUM EFFICIENCY

TOTALLY ENCLOSED FAN COOLED - C-FLANGE WITH FEET

INVERTER DUTY 10:1 CT; 20:1 VT - NEMA MG1 PART 31

Factory Certified for T2B Class I, Division II, Groups A,B,C & D and Class II, Division II, Groups F & G

PERFORMANCE DATA

| HP | RPM | Frame | Voltage | Frequency (Hz) | Full Load S.F. | Insulation Class | NEMA Design | Slip (%) | NEMA Code | Enclosure Type | IP Rating | Max. Ambient |
|-----|------|-------|-------------|----------------|----------------|------------------|-------------|----------|-----------|----------------|-----------|--------------|
| 100 | 1790 | 405TC | 208-230/460 | 60 | 1.15 | F | B | 0.6 | G | TEFC | 55 | 40 °C |

| Amps (460V) | | Efficiency (%) | | | Power Factor | | | Torque (ft-lb) | | | DE Bearing | ODE Bearing | Connection | Weight (lbs.) |
|-------------|-----|----------------|------|------|--------------|------|------|----------------|-------|-------|------------|-------------|--------------|---------------|
| FLA | LRA | 100% | 75% | 50% | 100% | 75% | 50% | FLT | LRT % | BDT % | | | | |
| 112 | 725 | 95.4 | 95.4 | 95.2 | 0.87 | 0.84 | 0.77 | 295.17 | 155 | 240 | 6318 | 6314 | 12 Lead 2Δ/Δ | 1228 |

NAME PLATE

| | | | | | | | | | | | | | | |
|--|-----------|--|-----------|-----------------------|-------|--|--|--------|--|---------------------|--|--------------|--|--|
| | | AC INDUCTION MOTOR INVERTER DUTY 20:1 VT; 10:1 CT | | | | | | | | CONNECTION DIAGRAMS | | | | |
| CAT NO. PE405TC-100-4 | | FRAME 405TC | | PHASE 3 | | | | | | | | 208-230V | | |
| HZ 60 | S.F. 1.15 | HZ 50 | S.F. 1.0 | ENCL TEFC | IP 55 | | | | | | | 460V | | |
| HP 100 | RPM 1790 | HP 100 | RPM 1485 | DUTY CONT | DES B | | | | | | | | | |
| VOLTS 208-230/460 | | VOLTS 190/380 | | AMB 40 °C | INS F | | | | | | | | | |
| AMPS 248 - 224 / 112 | | AMPS 274/137 | | DE BRG 6318 | | | | | | | | | | |
| CODE G | P.F. 0.87 | CODE F | P.F. 0.88 | ODE BRG 6314 | | | | | | | | | | |
| EFF 95.4 | MIN 94.5 | EFF 94.1 | MIN 93.2 | LUB: Mobil Polyrex EM | | | | | | | | | | |
| MOTOR WEIGHT 1228 | LBS | CONNECTION 12 Lead 2Δ/Δ | | SER NO | | | | | | | | | | |
| General purpose use on industrial machinery installed in damp, dusty or dirty environments. Hernando, Mississippi | | | | | | | | CC082A | | | | | | |

APPLICATIONS:

General purpose use on pumps, fans, blowers, compressors, conveyors, material handling and other industrial machinery installed in damp, dusty or dirty environments.