



## PE405TS-100-2

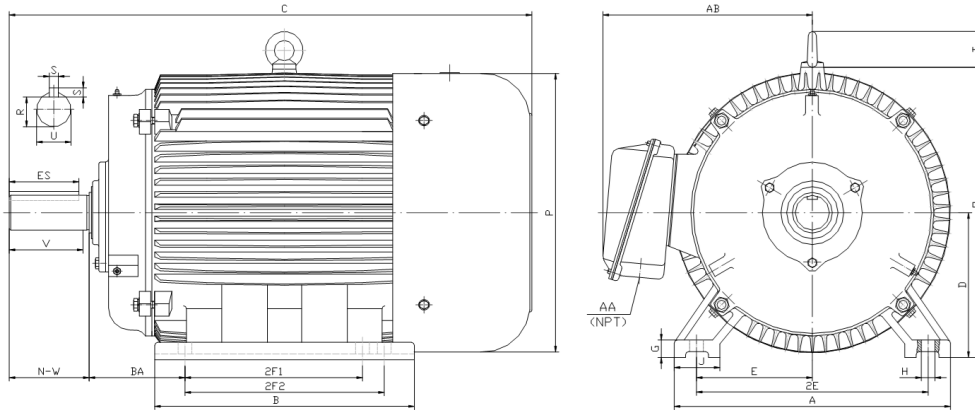
GENERAL PURPOSE ELECTRIC MOTOR

NEMA PREMIUM EFFICIENCY

TOTALLY ENCLOSED FAN COOLED

INVERTER DUTY 10:1 CT; 20:1 VT - NEMA MG1 PART 31

Factory Certified for T2B Class I, Division II, Groups A,B,C & D and Class II, Division II, Groups F & G



### DIMENSIONS

HP	RPM	Frame	MOUNTING														
			A	B	C	D	G	H	J	E	2E	2F1	2F2	O	P	T	BA
100	3600	405TS	19.3	17.9	35	10	1.18	0.81	3.15	8	16	12.25	13.75	19.8	19.1	2.6	6.62

Shaft Extension, Key Set						Conduit Box		Bearings		Mount
U	V	R	S	ES	N-W	AA	AB	DE	ODE	
2.125	4	1.845	0.5	2.78	4.25	3	15.6	6314	6314	F1

**BEARING LUBRICATION:** The bearings come lubricated with Mobil Polyrex EM Polyurea Grease. It is recommended that you add some additional lubrication when the motor is installed.

Three options (brands) for suitable lubrication include, but are not limited to, the following:

- 1.) Mobil Polyrex EM
- 2.) Citco Polyurea MP
- 3.) Conoco Phillips Polytac EP





## PE405TS-100-2

GENERAL PURPOSE ELECTRIC MOTOR

NEMA PREMIUM EFFICIENCY

TOTALLY ENCLOSED FAN COOLED

INVERTER DUTY 10:1 CT; 20:1 VT - NEMA MG1 PART 31

Factory Certified for T2B Class I, Division II, Groups A,B,C & D and Class II, Division II, Groups F & G

### PERFORMANCE DATA

HP	RPM	Frame	Voltage	Frequency (Hz)	Full Load S.F.	Insulation Class	NEMA Design	Slip (%)	NEMA Code	Enclosure Type	IP Rating	Max. Ambient
100	3570	405TS	208-230/460	60	1.15	F	B	0.8	G	TEFC	55	40 °C

Amps (460V)		Efficiency (%)			Power Factor			Torque (ft-lb)			DE Bearing	ODE Bearing	Connection	Weight (lbs.)
FLA	LRA	100%	75%	50%	100%	75%	50%	FLT	LRT %	BDT %				
112	725	94.1	93.5	93.0	0.90	0.88	0.82	147.2	130	245	6314	6314	12 Lead 2Δ/Δ	1107

### NAME PLATE

		AC INDUCTION MOTOR INVERTER DUTY 20:1 VT; 10:1 CT								CONNECTION DIAGRAMS						
CAT NO. PE405TS-100-2		FRAME 405TS		PHASE 3												
HZ 60	S.F. 1.15	HZ 50	S.F. 1.0	ENCL TEFC	IP 55											
HP 100	RPM 3570	HP 100	RPM 2960	DUTY CONT	DES B											
VOLTS 208-230/460		VOLTS 190/380		AMB 40 °C	INS F											
AMPS 248 - 224 / 112		AMPS 272/136		DE BRG 6314												
CODE G	P.F. 0.90	CODE F	P.F. 0.91	ODE BRG 6314												
EFF 94.1	MIN 93.0	EFF 92.6	MIN 91.5	LUB: Mobil Polyrex EM												
MOTOR WEIGHT 1107	LBS	CONNECTION 12 Lead 2Δ/Δ		SER NO												
General purpose use on industrial machinery installed in damp, dusty or dirty environments. Hernando, Mississippi												CC082A				

### APPLICATIONS:

General purpose use on pumps, fans, blowers, compressors, conveyors, material handling and other industrial machinery installed in damp, dusty or dirty environments.