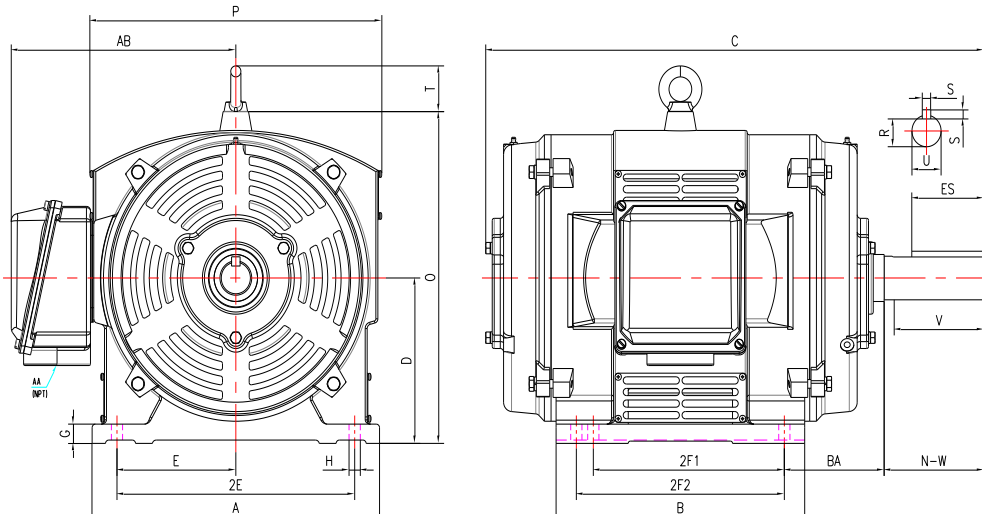


## PE405TS-125-4-ODP

GENERAL PURPOSE ELECTRIC MOTOR  
 NEMA PREMIUM EFFICIENCY  
 OPEN DRIP PROOF  
 CAST IRON CONSTRUCTION  
 INVERTER DUTY 10:1 CT; 20:1 VT - NEMA MG1 PART 31



### DIMENSIONS

HP	RPM	Frame	MOUNTING														
			A	B	C	D	G	H	J	E	2E	2F1	2F2	O	P	T	BA
125	1800	405TS	19.1	17	30.3	10	1.15	0.81	NA	8	16	12.25	13.75	21	20.25	2.6	6.62

Shaft Extension, Key Set						Conduit Box		Bearings		Mount
U	V	R	S	ES	N-W	AA	AB	DE	ODE	
2.125	4	1.845	0.5	2.78	4.25	3	14.5	6318	6314	F1

**BEARING LUBRICATION:** The bearings come lubricated with Mobil Polyrex EM Polyurea Grease. It is recommended that you add some additional lubrication when the motor is installed.

Three options (brands) for suitable lubrication include, but are not limited to, the following:

- 1.) Mobil Polyrex EM
- 2.) Citco Polyurea MP
- 3.) Conoco Phillips Polytac EP





## PE405TS-125-4-ODP

**GENERAL PURPOSE ELECTRIC MOTOR**  
**NEMA PREMIUM EFFICIENCY**  
**OPEN DRIP PROOF**  
**CAST IRON CONSTRUCTION**  
**INVERTER DUTY 10:1 CT; 20:1 VT - NEMA MG1 PART 31**

### PERFORMANCE DATA

HP	RPM	Frame	Voltage	Frequency (Hz)	Full Load S.F.	Insulation Class	NEMA Design	Slip (%)	NEMA Code	Enclosure Type	IP Rating	Max. Ambient
125	1785	405TS	460	60	1.15	F	B	0.8	G	ODP	23	40 °C

Amps (460V)		Efficiency (%)			Power Factor			Torque (ft-lb)			DE Bearing	ODE Bearing	Connection	Weight (lbs.)
FLA	LRA	100%	75%	50%	100%	75%	50%	FLT	LRT %	BDT %				
141	907	95.4	95.0	94.5	0.87	0.86	0.81	368.93	150	250	6318	6314	6 Lead Δ	1177

### NAME PLATE

		AC INDUCTION MOTOR INVERTER DUTY 20:1 VT; 10:1 CT								CONNECTION DIAGRAMS														
CAT NO.		PE405TS-125-4-ODP				FRAME		405TS		PHASE		3		<b>Across The Line</b> 										
HZ		60		S.F.		1.15		HZ		50		S.F.		1.0		ENCL		ODP		IP		23		
HP		125		RPM		1785		HP		125		RPM		1485		DUTY CONT		DES		B				
VOLTS		460				VOLTS		380		AMB		40 °C		INS		F		<b>PWS Run</b> 						
AMPS		141				AMPS		170		DE BRG		6318												
CODE		G		P.F.		0.87		CODE		D		P.F.		0.88		ODE BRG		6314						
EFF		95.4		MIN		94.5		EFF		94.2		MIN		93.3		LUB:		Mobil Polyrex EM						
MOTOR WEIGHT		1177		LBS		CONNECTION		6 Lead Δ		SER NO														
General purpose use on industrial machinery installed in environments with minimal dirt and moisture. Hernando, Mississippi								CC082A																

### APPLICATIONS:

General purpose use on pumps, fans, blowers, compressors, conveyors, material handling and other industrial machinery installed in environments with minimal dirt and moisture.