



**PE444T-125-4-BB**

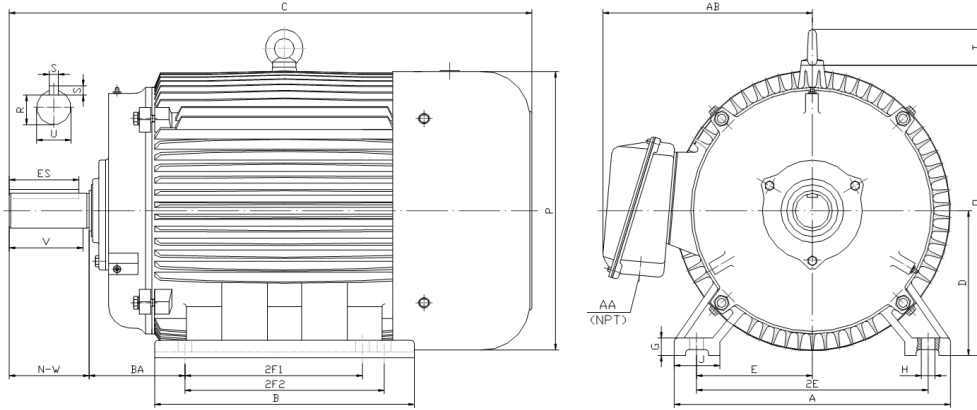
**GENERAL PURPOSE ELECTRIC MOTOR**

**NEMA PREMIUM EFFICIENCY**

**TOTALLY ENCLOSED FAN COOLED**

**INVERTER DUTY 10:1 CT; 20:1 VT - NEMA MG1 PART 31**

**Factory Certified for T2B Class I, Division II, Groups A,B,C & D and Class II, Division II, Groups F & G**



**DIMENSIONS**

HP	RPM	Frame	MOUNTING														
			A	B	C	D	G	H	J	E	2E	2F1	2F2	O	P	T	BA
125	1800	444T	21.7	22.9	44.3	11	1.35	0.81	3.35	9	18	14.5	16.5	22.1	21.6	3	7.5

Shaft Extension, Key Set						Conduit Box		Bearings		Mount
U	V	R	S	ES	N-W	AA	AB	DE	ODE	
3.375	8.25	2.88	0.875	6.91	8.5	3	19	6319	6318	F1

**BEARING LUBRICATION:** The bearings come lubricated with Mobil Polyrex EM Polyurea Grease. It is recommended that you add some additional lubrication when the motor is installed.

Three options (brands) for suitable lubrication include, but are not limited to, the following:

- 1.) Mobil Polyrex EM
- 2.) Citco Polyurea MP
- 3.) Conoco Phillips Polytac EP





**PE444T-125-4-BB**

**GENERAL PURPOSE ELECTRIC MOTOR**

**NEMA PREMIUM EFFICIENCY**

**TOTALLY ENCLOSED FAN COOLED**

**INVERTER DUTY 10:1 CT; 20:1 VT - NEMA MG1 PART 31**

**Factory Certified for T2B Class I, Division II, Groups A,B,C & D and Class II, Division II, Groups F & G**

**PERFORMANCE DATA**

HP	RPM	Frame	Voltage	Frequency (Hz)	Full Load S.F.	Insulation Class	NEMA Design	Slip (%)	NEMA Code	Enclosure Type	IP Rating	Max. Ambient
125	1785	444T	460	60	1.15	F	B	0.8	G	TEFC	55	40 °C

Amps (460V)		Efficiency (%)			Power Factor			Torque (ft-lb)			DE Bearing	ODE Bearing	Connection	Weight (lbs.)
FLA	LRA	100%	75%	50%	100%	75%	50%	FLT	LRT %	BDT %				
145	907	95.4	95.4	95.0	0.87	0.86	0.81	368.93	150	250	6319	6318	6 Lead Δ	1471

**NAME PLATE**

		AC INDUCTION MOTOR INVERTER DUTY 20:1 VT; 10:1 CT								CONNECTION DIAGRAMS				
CAT NO. PE444T-125-4-BB		FRAME 444T		PHASE 3								Across The Line 		
HZ 60	S.F. 1.15	HZ 50	S.F. 1.0	ENCL TEFC	IP 55							PWS Start 		
HP 125	RPM 1785	HP 125	RPM 1485	DUTY CONT	DES B							PWS Run 		
VOLTS 460		VOLTS 380		AMB 40 °C	INS F									
AMPS 145		AMPS 170		DE BRG 6319										
CODE G	P.F. 0.87	CODE F	P.F. 0.88	ODE BRG 6318										
EFF 95.4	MIN 94.5	EFF 94.2	MIN 93.3	LUB: Mobil Polyrex EM										
MOTOR WEIGHT 1471	LBS	CONNECTION 6 Lead Δ		SER NO										
General purpose use on industrial machinery installed in damp, dusty or dirty environments. Hernando, Mississippi								CC082A						

**APPLICATIONS:**

General purpose use on pumps, fans, blowers, compressors, conveyors, material handling and other industrial machinery installed in damp, dusty or dirty environments.