



## PE444TC-125-4

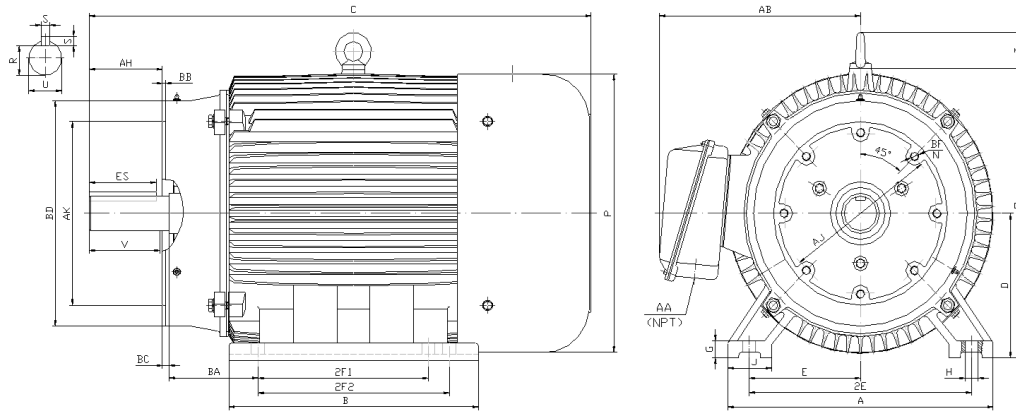
GENERAL PURPOSE ELECTRIC MOTOR

NEMA PREMIUM EFFICIENCY

TOTALLY ENCLOSED FAN COOLED - C-FLANGE WITH FEET

INVERTER DUTY 10:1 CT; 20:1 VT - NEMA MG1 PART 31

Factory Certified for T2B Class I, Division II, Groups A,B,C & D and Class II, Division II, Groups F & G



### DIMENSIONS

HP	RPM	Frame	MOUNTING														
			A	B	C	D	G	H	J	E	2E	2F1	2F2	O	P	T	BA
125	1800	444TC	21.7	22.9	44.3	11	1.35	0.81	3.35	9	18	14.5	16.5	22.1	21.6	3	7.5

FLANGE							Shaft Extension, Key Set						
AH	AJ	AK	BB	BC	BD	BF	U	V	R	S	ES	N-W	
8.25	14	16	0.25	0.25	18	8*5/8-11	3.375	8.25	2.88	0.875	6.91	NA	

Conduit Box		Bearings		Mount
AA	AB	DE	ODE	
3	19	6319	6318	

**BEARING LUBRICATION:** The bearings come lubricated with Mobil Polyrex EM Polyurea Grease. It is recommended that you add some additional lubrication when the motor is installed.

Three options (brands) for suitable lubrication include, but are not limited to, the following:

- 1.) Mobil Polyrex EM
- 2.) Citco Polyurea MP
- 3.) Conoco Phillips Polytac EP





## PE444TC-125-4

**GENERAL PURPOSE ELECTRIC MOTOR**

**NEMA PREMIUM EFFICIENCY**

**TOTALLY ENCLOSED FAN COOLED - C-FLANGE WITH FEET**

**INVERTER DUTY 10:1 CT; 20:1 VT - NEMA MG1 PART 31**

**Factory Certified for T2B Class I, Division II, Groups A,B,C & D and Class II, Division II, Groups F & G**

### PERFORMANCE DATA

HP	RPM	Frame	Voltage	Frequency (Hz)	Full Load S.F.	Insulation Class	NEMA Design	Slip (%)	NEMA Code	Enclosure Type	IP Rating	Max. Ambient
125	1785	444TC	460	60	1.15	F	B	0.8	G	TEFC	55	40 °C

Amps (460V)		Efficiency (%)			Power Factor			Torque (ft-lb)			DE Bearing	ODE Bearing	Connection	Weight (lbs.)
FLA	LRA	100%	75%	50%	100%	75%	50%	FLT	LRT %	BDT %				
145	907	95.4	95.4	95.0	0.87	0.86	0.81	368.93	150	250	6319	6318	6 Lead Δ	1523

### NAME PLATE

		AC INDUCTION MOTOR INVERTER DUTY 20:1 VT; 10:1 CT								CONNECTION DIAGRAMS								
CAT NO.		PE444TC-125-4				FRAME		444TC		PHASE		3		<b>Across The Line</b> 				
HZ	60	S.F.	1.15	HZ	50	S.F.	1.0	ENCL	TEFC	IP	55							
HP	125	RPM	1785	HP	125	RPM	1485	DUTY CONT	DES		B							
VOLTS		460		VOLTS		380		AMB		40 °C		INS		F				
AMPS		145		AMPS		170		DE BRG		6319								
CODE	G	P.F.	0.87	CODE	F	P.F.	0.88	ODE BRG		6318								
EFF	95.4	MIN	94.5	EFF	94.2	MIN	93.3	LUB:		Mobil Polyrex EM								
MOTOR WEIGHT		1523 LBS		CONNECTION		6 Lead Δ		SER NO										
General purpose use on industrial machinery installed in damp, dusty or dirty environments. Hernando, Mississippi										CC082A								

### APPLICATIONS:

General purpose use on pumps, fans, blowers, compressors, conveyors, material handling and other industrial machinery installed in damp, dusty or dirty environments.