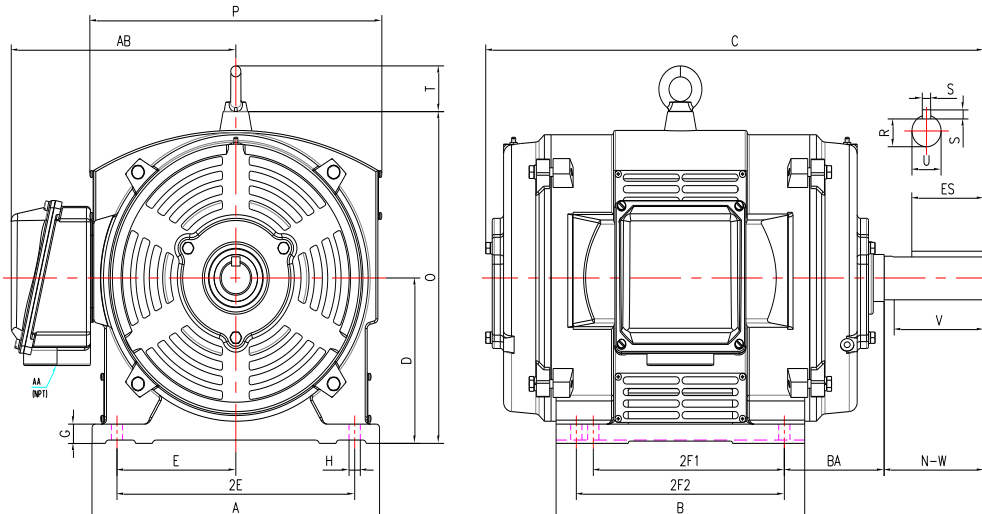


PE444TS-150-4-ODP

GENERAL PURPOSE ELECTRIC MOTOR
 NEMA PREMIUM EFFICIENCY
 OPEN DRIP PROOF
 CAST IRON CONSTRUCTION
 INVERTER DUTY 10:1 CT; 20:1 VT - NEMA MG1 PART 31



DIMENSIONS

HP	RPM	Frame	MOUNTING														
			A	B	C	D	G	H	J	E	2E	2F1	2F2	O	P	T	BA
150	1800	444TS	22.3	20.8	34.75	11	1.15	0.81	NA	9	18	14.5	16.5	22.6	23.3	3	7.5

Shaft Extension, Key Set						Conduit Box		Bearings		Mount
U	V	R	S	ES	N-W	AA	AB	DE	ODE	
2.375	4.5	2.021	0.625	3.03	4.75	3	18.9	6319	6318	F1

BEARING LUBRICATION: The bearings come lubricated with Mobil Polyrex EM Polyurea Grease. It is recommended that you add some additional lubrication when the motor is installed.

Three options (brands) for suitable lubrication include, but are not limited to, the following:

- 1.) Mobil Polyrex EM
- 2.) Citco Polyurea MP
- 3.) Conoco Phillips Polytac EP





PE444TS-150-4-ODP

GENERAL PURPOSE ELECTRIC MOTOR
NEMA PREMIUM EFFICIENCY
OPEN DRIP PROOF
CAST IRON CONSTRUCTION
INVERTER DUTY 10:1 CT; 20:1 VT - NEMA MG1 PART 31

PERFORMANCE DATA

HP	RPM	Frame	Voltage	Frequency (Hz)	Full Load S.F.	Insulation Class	NEMA Design	Slip (%)	NEMA Code	Enclosure Type	IP Rating	Max. Ambient
150	1790	444TS	460	60	1.15	F	B	1.4	G	ODP	23	40 °C

Amps (460V)		Efficiency (%)			Power Factor			Torque (ft-lb)			DE Bearing	ODE Bearing	Connection	Weight (lbs.)
FLA	LRA	100%	75%	50%	100%	75%	50%	FLT	LRT %	BDT %				
167	1085	95.8	95.4	95.0	0.88	0.86	0.81	442.74	150	250	6319	6318	6 Lead Δ	1702

NAME PLATE

		AC INDUCTION MOTOR INVERTER DUTY 20:1 VT; 10:1 CT								CONNECTION DIAGRAMS							
CAT NO.		PE444TS-150-4-ODP				FRAME		444TS		PHASE		3		Across The Line 			
HZ	60	S.F.	1.15	HZ	50	S.F.	1.0	ENCL	ODP	IP	23						
HP	150	RPM	1790	HP	150	RPM	1488	DUTY CONT	DES		B						
VOLTS		460		VOLTS		380		AMB	40 °C		INS		F				
AMPS		167		AMPS		203		DE BRG		6319							
CODE	G	P.F.	0.88	CODE	F	P.F.	0.88	ODE BRG		6318							
EFF	95.8	MIN	95.0	EFF	93.5	MIN	92.2	LUB:		Mobil Polyrex EM							
MOTOR WEIGHT		1702 LBS		CONNECTION		6 Lead Δ		SER NO									
General purpose use on industrial machinery installed in environments with minimal dirt and moisture. Hermando, Mississippi										CC082A							

APPLICATIONS:

General purpose use on pumps, fans, blowers, compressors, conveyors, material handling and other industrial machinery installed in environments with minimal dirt and moisture.