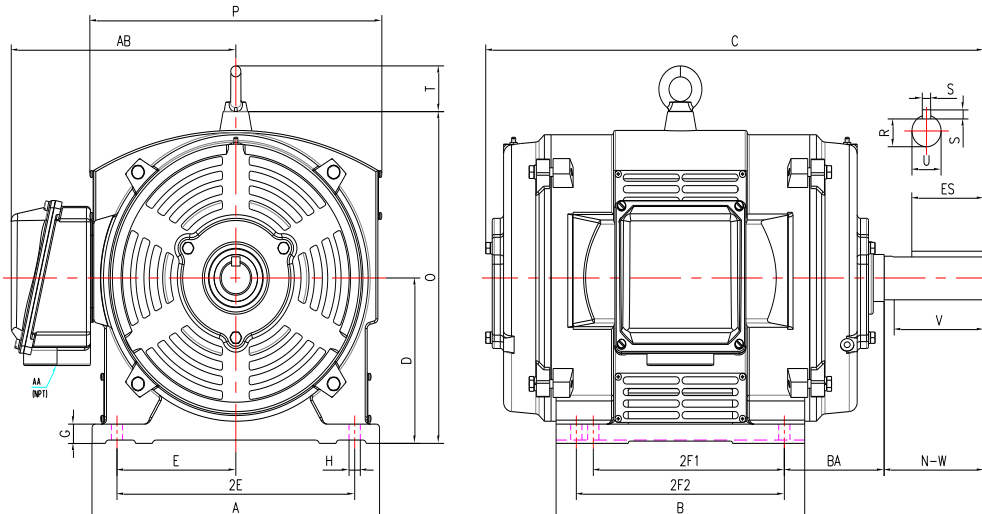


PE444TS-200-2-ODP

GENERAL PURPOSE ELECTRIC MOTOR
 NEMA PREMIUM EFFICIENCY
 OPEN DRIP PROOF
 CAST IRON CONSTRUCTION
 INVERTER DUTY 10:1 CT; 20:1 VT - NEMA MG1 PART 31



DIMENSIONS

HP	RPM	Frame	MOUNTING														
			A	B	C	D	G	H	J	E	2E	2F1	2F2	O	P	T	BA
200	3600	444TS	22.3	20.8	34.75	11	1.15	0.81	NA	9	18	14.5	16.5	22.6	23.3	3	7.5

Shaft Extension, Key Set						Conduit Box		Bearings		Mount
U	V	R	S	ES	N-W	AA	AB	DE	ODE	
2.375	4.5	2.021	0.625	3.03	4.75	3	18.9	6314	6314	F1

BEARING LUBRICATION: The bearings come lubricated with Mobil Polyrex EM Polyurea Grease. It is recommended that you add some additional lubrication when the motor is installed.

Three options (brands) for suitable lubrication include, but are not limited to, the following:

- 1.) Mobil Polyrex EM
- 2.) Citco Polyurea MP
- 3.) Conoco Phillips Polytac EP





PE444TS-200-2-ODP

GENERAL PURPOSE ELECTRIC MOTOR
NEMA PREMIUM EFFICIENCY
OPEN DRIP PROOF
CAST IRON CONSTRUCTION
INVERTER DUTY 10:1 CT; 20:1 VT - NEMA MG1 PART 31

PERFORMANCE DATA

HP	RPM	Frame	Voltage	Frequency (Hz)	Full Load S.F.	Insulation Class	NEMA Design	Slip (%)	NEMA Code	Enclosure Type	IP Rating	Max. Ambient
200	3575	444TS	460	60	1.15	F	B	0.7	G	ODP	23	40 °C

Amps (460V)		Efficiency (%)			Power Factor			Torque (ft-lb)			DE Bearing	ODE Bearing	Connection	Weight (lbs.)
FLA	LRA	100%	75%	50%	100%	75%	50%	FLT	LRT %	BDT %				
219	1450	95.0	94.4	94.0	0.90	0.88	0.84	293.9	130	240	6314	6314	6 Lead Δ	1519

NAME PLATE

		AC INDUCTION MOTOR INVERTER DUTY 20:1 VT; 10:1 CT								CONNECTION DIAGRAMS																
CAT NO.		PE444TS-200-2-ODP				FRAME		444TS		PHASE		3		Across The Line 												
HZ		60		S.F.		1.15		HZ		50		S.F.		1.0		ENCL		ODP		IP		23				
HP		200		RPM		3575		HP		200		RPM		2980		DUTY CONT		DES		B						
VOLTS		460				VOLTS		380				AMB		40 °C		INS		F		PWS Start 						
AMPS		219				AMPS		262				DE BRG		6314												
CODE		G		P.F.		0.90		CODE		F		P.F.		0.92		ODE BRG		6314								
EFF		95.0		MIN		94.1		EFF		93.5		MIN		92.6		LUB: Mobil Polyrex EM										
MOTOR WEIGHT		1519		LBS		CONNECTION		6 Lead Δ				SER NO				PWS Run 										
General purpose use on industrial machinery installed in environments with minimal dirt and moisture. Herando, Mississippi												CC082A														

APPLICATIONS:

General purpose use on pumps, fans, blowers, compressors, conveyors, material handling and other industrial machinery installed in environments with minimal dirt and moisture.