



**PE445T-100-8C**

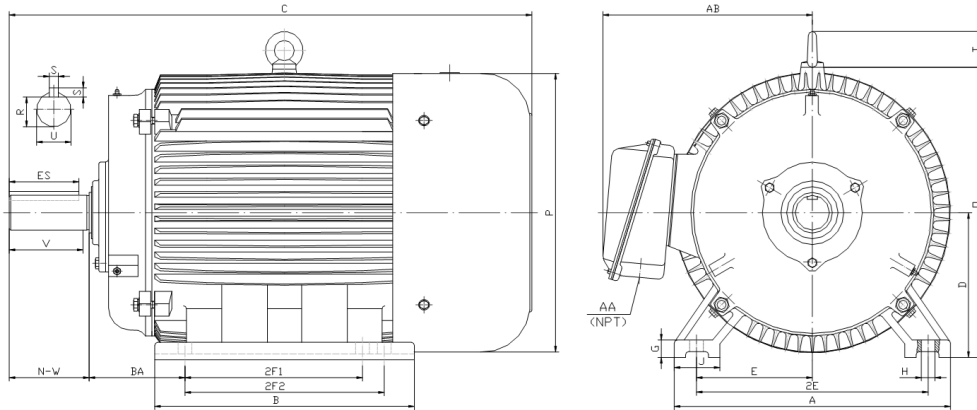
**CRUSHER DUTY ELECTRIC MOTOR**

**NEMA PREMIUM EFFICIENCY**

**TOTALLY ENCLOSED FAN COOLED**

**INVERTER DUTY 10:1 CT; 20:1 VT - NEMA MG1 PART 31**

**Factory Certified for T2B Class I, Division II, Groups A,B,C & D and Class II, Division II, Groups F & G**



**DIMENSIONS**

HP	RPM	Frame	MOUNTING														
			A	B	C	D	G	H	J	E	2E	2F1	2F2	O	P	T	BA
100	900	445T	21.7	22.9	44.3	11	1.35	0.81	3.35	9	18	14.5	16.5	22.1	21.6	3	7.5

Shaft Extension, Key Set						Conduit Box		Bearings		Mount
U	V	R	S	ES	N-W	AA	AB	DE	ODE	
3.375	8.25	2.88	0.875	6.91	8.5	3	19	NU319	6318	F1

**BEARING LUBRICATION:** The bearings come lubricated with Mobil Polyrex EM Polyurea Grease. It is recommended that you add some additional lubrication when the motor is installed.

Three options (brands) for suitable lubrication include, but are not limited to, the following:

- 1.) Mobil Polyrex EM
- 2.) Citco Polyurea MP
- 3.) Conoco Phillips Polytac EP





## PE445T-100-8C

**CRUSHER DUTY ELECTRIC MOTOR**

**NEMA PREMIUM EFFICIENCY**

**TOTALLY ENCLOSED FAN COOLED**

**INVERTER DUTY 10:1 CT; 20:1 VT - NEMA MG1 PART 31**

**Factory Certified for T2B Class I, Division II, Groups A,B,C & D and Class II, Division II, Groups F & G**

### PERFORMANCE DATA

HP	RPM	Frame	Voltage	Frequency (Hz)	Full Load S.F.	Insulation Class	NEMA Design	Slip (%)	NEMA Code	Enclosure Type	IP Rating	Max. Ambient
100	885	445T	208-230/460	60	1.15	F	C	1.7	G	TEFC	55	40 °C

Amps (460V)		Efficiency (%)			Power Factor			Torque (ft-lb)			DE Bearing	ODE Bearing	Connection	Weight (lbs.)
FLA	LRA	100%	75%	50%	100%	75%	50%	FLT	LRT %	BDT %				
125	725	93.6	93.6	93.0	0.82	0.74	0.63	593	200	230	NU319	6318	12 Lead 2Δ/Δ	1452

### NAME PLATE

		AC INDUCTION MOTOR INVERTER DUTY 20:1 VT; 10:1 CT								CONNECTION DIAGRAMS				
CAT NO. PE445T-100-8C		FRAME 445T		PHASE 3								208-230V 		
HZ 60	S.F. 1.15	HZ 50	S.F. 1.0	ENCL TEFC	IP 55							460V 		
HP 100	RPM 885	HP 100	RPM 740	DUTY CONT	DES C									
VOLTS 208-230/460		VOLTS 190/380		AMB 40 °C	INS F									
AMPS 276 - 250 / 125		AMPS 300/150		DE BRG NU319										
CODE G	P.F. 0.82	CODE F	P.F. 0.84	ODE BRG 6318										
EFF 93.6	MIN 92.4	EFF 92.0	MIN 90.5	LUB: Mobil Polyrex EM										
MOTOR WEIGHT 1452 LBS		CONNECTION 12 Lead 2Δ/Δ		SER NO										
Special purpose use on crushing and pulverizing equipment.  Hernando, Mississippi								CC082A						

### APPLICATIONS:

Special purpose use on crushing and pulverizing equipment. Other industrial machinery requiring extremely high starting torques and breakdown torques. Suitable for use with variable frequency drives.