



PE445TC-150-4

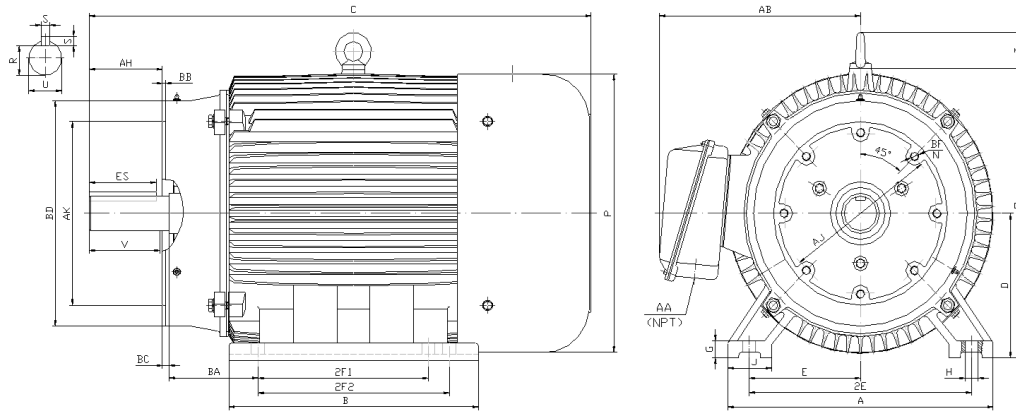
GENERAL PURPOSE ELECTRIC MOTOR

NEMA PREMIUM EFFICIENCY

TOTALLY ENCLOSED FAN COOLED - C-FLANGE WITH FEET

INVERTER DUTY 10:1 CT; 20:1 VT - NEMA MG1 PART 31

Factory Certified for T2B Class I, Division II, Groups A,B,C & D and Class II, Division II, Groups F & G



DIMENSIONS

HP	RPM	Frame	MOUNTING														
			A	B	C	D	G	H	J	E	2E	2F1	2F2	O	P	T	BA
150	1800	445TC	21.7	22.9	44.3	11	1.35	0.81	3.35	9	18	14.5	16.5	23	23.4	3	7.5

FLANGE							Shaft Extension, Key Set						
AH	AJ	AK	BB	BC	BD	BF	U	V	R	S	ES	N-W	
8.25	14	16	0.25	0.25	18	8*5/8-11	3.375	8.25	2.88	0.875	6.91	NA	

Conduit Box		Bearings		Mount
AA	AB	DE	ODE	
3	19.9	6319	6318	

BEARING LUBRICATION: The bearings come lubricated with Mobil Polyrex EM Polyurea Grease. It is recommended that you add some additional lubrication when the motor is installed.

Three options (brands) for suitable lubrication include, but are not limited to, the following:

- 1.) Mobil Polyrex EM
- 2.) Citco Polyurea MP
- 3.) Conoco Phillips Polytac EP





PE445TC-150-4

GENERAL PURPOSE ELECTRIC MOTOR

NEMA PREMIUM EFFICIENCY

TOTALLY ENCLOSED FAN COOLED - C-FLANGE WITH FEET

INVERTER DUTY 10:1 CT; 20:1 VT - NEMA MG1 PART 31

Factory Certified for T2B Class I, Division II, Groups A,B,C & D and Class II, Division II, Groups F & G

PERFORMANCE DATA

HP	RPM	Frame	Voltage	Frequency (Hz)	Full Load S.F.	Insulation Class	NEMA Design	Slip (%)	NEMA Code	Enclosure Type	IP Rating	Max. Ambient
150	1790	445TC	460	60	1.15	F	B	0.6	G	TEFC	55	40 °C

Amps (460V)		Efficiency (%)			Power Factor			Torque (ft-lb)			DE Bearing	ODE Bearing	Connection	Weight (lbs.)
FLA	LRA	100%	75%	50%	100%	75%	50%	FLT	LRT %	BDT %				
171	1085	95.8	95.8	95.0	0.87	0.86	0.80	442.74	150	250	6319	6318	6 Lead Δ	1735

NAME PLATE

		AC INDUCTION MOTOR INVERTER DUTY 20:1 VT; 10:1 CT								CONNECTION DIAGRAMS						
CAT NO.		PE445TC-150-4				FRAME		445TC		PHASE		3		Across The Line 		
HZ	60	S.F.	1.15	HZ	50	S.F.	1.0	ENCL	TEFC	IP	55		PWS Start 			
HP	150	RPM	1790	HP	150	RPM	1488	DUTY	CONT	DES	B		PWS Run 			
VOLTS		460		VOLTS		380		AMB		40 °C		INS		F		
AMPS		171		AMPS		203		DE BRG		6319		ODE BRG		6318		
CODE	G	P.F.	0.87	CODE	F	P.F.	0.88	LUB:		Mobil Polyrex EM						
EFF	95.8	MIN	95.0	EFF	93.5	MIN	92.7	CONNECTION		6 Lead Δ		SER NO				
MOTOR WEIGHT		1735 LBS		General purpose use on industrial machinery installed in damp, dusty or dirty environments.								CC082A		272709		
Hernando, Mississippi																

APPLICATIONS:

General purpose use on pumps, fans, blowers, compressors, conveyors, material handling and other industrial machinery installed in damp, dusty or dirty environments.