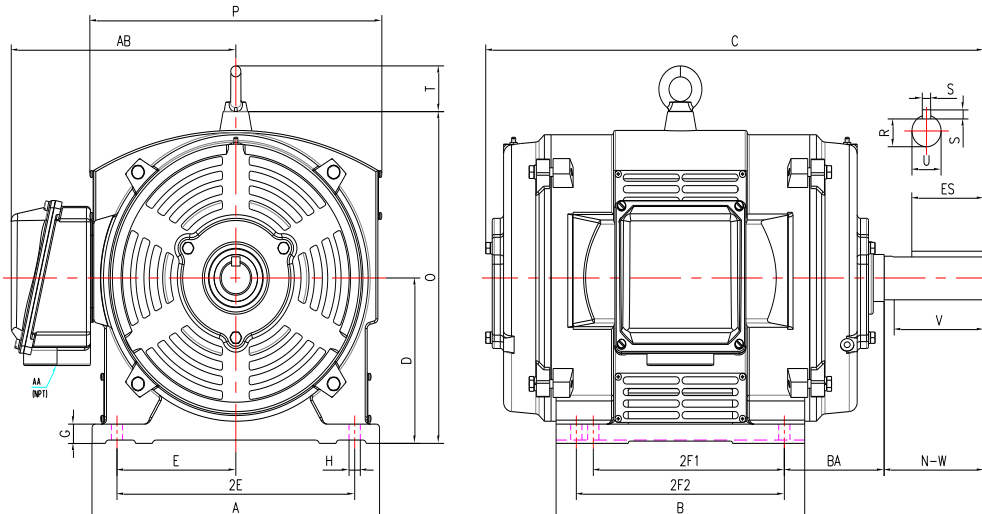


PE445TS-200-4-ODP

GENERAL PURPOSE ELECTRIC MOTOR
 NEMA PREMIUM EFFICIENCY
 OPEN DRIP PROOF
 CAST IRON CONSTRUCTION
 INVERTER DUTY 10:1 CT; 20:1 VT - NEMA MG1 PART 31



DIMENSIONS

HP	RPM	Frame	MOUNTING														
			A	B	C	D	G	H	J	E	2E	2F1	2F2	O	P	T	BA
200	1800	445TS	22.3	20.8	34.75	11	1.15	0.81	NA	9	18	14.5	16.5	22.6	23.3	3	7.5

Shaft Extension, Key Set						Conduit Box		Bearings		Mount
U	V	R	S	ES	N-W	AA	AB	DE	ODE	
2.375	4.5	2.021	0.625	3.03	4.75	3	18.9	6319	6318	F1

BEARING LUBRICATION: The bearings come lubricated with Mobil Polyrex EM Polyurea Grease. It is recommended that you add some additional lubrication when the motor is installed.

Three options (brands) for suitable lubrication include, but are not limited to, the following:

- 1.) Mobil Polyrex EM
- 2.) Citco Polyurea MP
- 3.) Conoco Phillips Polytac EP





PE445TS-200-4-ODP

GENERAL PURPOSE ELECTRIC MOTOR
NEMA PREMIUM EFFICIENCY
OPEN DRIP PROOF
CAST IRON CONSTRUCTION
INVERTER DUTY 10:1 CT; 20:1 VT - NEMA MG1 PART 31

PERFORMANCE DATA

HP	RPM	Frame	Voltage	Frequency (Hz)	Full Load S.F.	Insulation Class	NEMA Design	Slip (%)	NEMA Code	Enclosure Type	IP Rating	Max. Ambient
200	1790	445TS	460	60	1.15	F	B	0.6	G	ODP	23	40 °C

Amps (460V)		Efficiency (%)			Power Factor			Torque (ft-lb)			DE Bearing	ODE Bearing	Connection	Weight (lbs.)
FLA	LRA	100%	75%	50%	100%	75%	50%	FLT	LRT %	BDT %				
220	1450	95.8	96.0	95.5	0.88	0.88	0.84	590.25	150	240	6319	6318	6 Lead Δ	1790

NAME PLATE

		AC INDUCTION MOTOR INVERTER DUTY 20:1 VT; 10:1 CT								CONNECTION DIAGRAMS														
CAT NO.		PE445TS-200-4-ODP				FRAME		445TS		PHASE		3		Across The Line 										
HZ		60		S.F.		1.15		HZ		50		S.F.		1.0		ENCL		ODP		IP		23		
HP		200		RPM		1790		HP		200		RPM		1488		DUTY CONT		DES		B				
VOLTS		460				VOLTS		380				AMB		40 °C		INS		F		PWS Run 				
AMPS		220				AMPS		270				DE BRG		6319										
CODE		G		P.F.		0.88		CODE		D		P.F.		0.88		ODE BRG		6318						
EFF		95.8		MIN		95.0		EFF		95.0		MIN		94.1		LUB: Mobil Polyrex EM								
MOTOR WEIGHT		1790		LBS		CONNECTION				6 Lead Δ				SER NO										
General purpose use on industrial machinery installed in environments with minimal dirt and moisture. Hermando, Mississippi												CC082A 272709												

APPLICATIONS:

General purpose use on pumps, fans, blowers, compressors, conveyors, material handling and other industrial machinery installed in environments with minimal dirt and moisture.