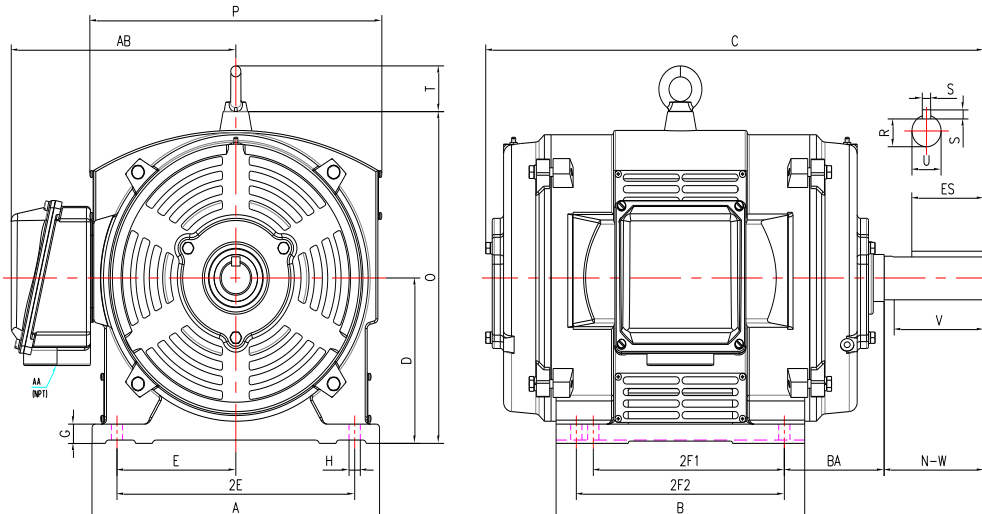


PE445TS-250-2-ODP

GENERAL PURPOSE ELECTRIC MOTOR
 NEMA PREMIUM EFFICIENCY
 OPEN DRIP PROOF
 CAST IRON CONSTRUCTION
 INVERTER DUTY 10:1 CT; 20:1 VT - NEMA MG1 PART 31



DIMENSIONS

HP	RPM	Frame	MOUNTING														
			A	B	C	D	G	H	J	E	2E	2F1	2F2	O	P	T	BA
250	3600	445TS	22.3	20.8	34.75	11	1.15	0.81	NA	9	18	14.5	16.5	22.6	23.3	3	7.5

Shaft Extension, Key Set						Conduit Box		Bearings		Mount
U	V	R	S	ES	N-W	AA	AB	DE	ODE	
2.375	4.5	2.021	0.625	3.03	4.75	3	18.9	6314	6314	F1

BEARING LUBRICATION: The bearings come lubricated with Mobil Polyrex EM Polyurea Grease. It is recommended that you add some additional lubrication when the motor is installed.

Three options (brands) for suitable lubrication include, but are not limited to, the following:

- 1.) Mobil Polyrex EM
- 2.) Citco Polyurea MP
- 3.) Conoco Phillips Polytac EP





PE445TS-250-2-ODP

GENERAL PURPOSE ELECTRIC MOTOR
NEMA PREMIUM EFFICIENCY
OPEN DRIP PROOF
CAST IRON CONSTRUCTION
INVERTER DUTY 10:1 CT; 20:1 VT - NEMA MG1 PART 31

PERFORMANCE DATA

HP	RPM	Frame	Voltage	Frequency (Hz)	Full Load S.F.	Insulation Class	NEMA Design	Slip (%)	NEMA Code	Enclosure Type	IP Rating	Max. Ambient
250	3575	445TS	460	60	1.15	F	B	0.7	G	ODP	23	40 °C

Amps (460V)		Efficiency (%)			Power Factor			Torque (ft-lb)			DE Bearing	ODE Bearing	Connection	Weight (lbs.)
FLA	LRA	100%	75%	50%	100%	75%	50%	FLT	LRT %	BDT %				
270	1825	95.0	95.0	94.5	0.91	0.89	0.87	367.38	130	240	6314	6314	6 Lead Δ	1603

NAME PLATE

		AC INDUCTION MOTOR INVERTER DUTY 20:1 VT; 10:1 CT								CONNECTION DIAGRAMS								
CAT NO.		PE445TS-250-2-ODP				FRAME		445TS		PHASE		3		Across The Line 				
HZ	60	S.F.	1.15	HZ	50	S.F.	1.0	ENCL	ODP	IP	23							
HP	250	RPM	3575	HP	250	RPM	2980	DUTY CONT	DES		B							
VOLTS		460		VOLTS		380		AMB		40 °C		INS		F				
AMPS		270		AMPS		326		DE BRG		6314								
CODE	G	P.F.	0.91	CODE	E	P.F.	0.92	ODE BRG		6314								
EFF	95.0	MIN	94.1	EFF	93.5	MIN	92.6	LUB:		Mobil Polyrex EM								
MOTOR WEIGHT		1603 LBS		CONNECTION		6 Lead Δ		SER NO										
General purpose use on industrial machinery installed in environments with minimal dirt and moisture. Hermando, Mississippi										CC082A								

APPLICATIONS:

General purpose use on pumps, fans, blowers, compressors, conveyors, material handling and other industrial machinery installed in environments with minimal dirt and moisture.