



PE445TSC-150-2

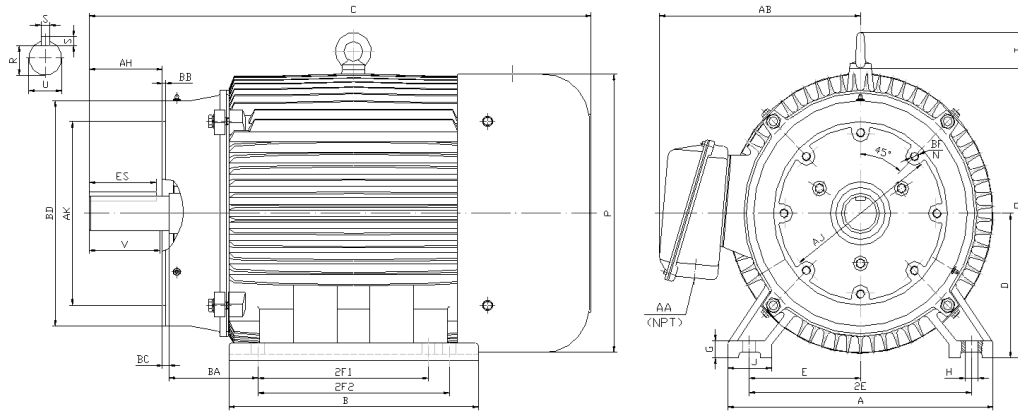
GENERAL PURPOSE ELECTRIC MOTOR

NEMA PREMIUM EFFICIENCY

TOTALLY ENCLOSED FAN COOLED - C-FLANGE WITH FEET

INVERTER DUTY 10:1 CT; 20:1 VT - NEMA MG1 PART 31

Factory Certified for T2B Class I, Division II, Groups A,B,C & D and Class II, Division II, Groups F & G



DIMENSIONS

HP	RPM	Frame	MOUNTING														
			A	B	C	D	G	H	J	E	2E	2F1	2F2	O	P	T	BA
150	3600	445TSC	21.7	22.9	40.6	11	1.35	0.81	3.35	9	18	14.5	16.5	23	23.4	3	7.5

FLANGE							Shaft Extension, Key Set						
AH	AJ	AK	BB	BC	BD	BF	U	V	R	S	ES	N-W	
4.5	14	16	0.25	0.25	18	8*5/8-11	2.375	4.5	2.021	0.625	3.03	NA	

Conduit Box		Bearings		Mount
AA	AB	DE	ODE	
3	19.9	6314	6314	F1

BEARING LUBRICATION: The bearings come lubricated with Mobil Polyrex EM Polyurea Grease. It is recommended that you add some additional lubrication when the motor is installed.

Three options (brands) for suitable lubrication include, but are not limited to, the following:

- 1.) Mobil Polyrex EM
- 2.) Citco Polyurea MP
- 3.) Conoco Phillips Polytac EP





PE445TSC-150-2

GENERAL PURPOSE ELECTRIC MOTOR

NEMA PREMIUM EFFICIENCY

TOTALLY ENCLOSED FAN COOLED - C-FLANGE WITH FEET

INVERTER DUTY 10:1 CT; 20:1 VT - NEMA MG1 PART 31

Factory Certified for T2B Class I, Division II, Groups A,B,C & D and Class II, Division II, Groups F & G

PERFORMANCE DATA

HP	RPM	Frame	Voltage	Frequency (Hz)	Full Load S.F.	Insulation Class	NEMA Design	Slip (%)	NEMA Code	Enclosure Type	IP Rating	Max. Ambient
150	3580	445TSC	460	60	1.15	F	B	0.6	G	TEFC	55	40 °C

Amps (460V)		Efficiency (%)			Power Factor			Torque (ft-lb)			DE Bearing	ODE Bearing	Connection	Weight (lbs.)
FLA	LRA	100%	75%	50%	100%	75%	50%	FLT	LRT %	BDT %				
166	1085	95.0	94.5	93.8	0.90	0.88	0.86	220.42	130	245	6314	6314	6 Lead Δ	1511

NAME PLATE

		AC INDUCTION MOTOR INVERTER DUTY 20:1 VT; 10:1 CT								CONNECTION DIAGRAMS		
CAT NO.		PE445TSC-150-2				FRAME		445TSC		PHASE 3		
HZ	60	S.F.	1.15	HZ	50	S.F.	1.0	ENCL	TEFC	IP	55	Across The Line
HP	150	RPM	3580	HP	150	RPM	2980	DUTY	CONT	DES	B	
VOLTS		460		VOLTS		380		AMB	40 °C	INS	F	
AMPS		166		AMPS		197		DE BRG		6314		PWS Start
CODE	G	P.F.	0.90	CODE	F	P.F.	0.91	ODE BRG		6314		
EFF	95.0	MIN	94.1	EFF	93.5	MIN	92.6	LUB: Mobil Polyrex EM				PWS Run
MOTOR WEIGHT	1511	LBS		CONNECTION			6 Lead Δ		SER NO			
General purpose use on industrial machinery installed in damp, dusty or dirty environments. Hernando, Mississippi										CC082A 272709		

APPLICATIONS:

General purpose use on pumps, fans, blowers, compressors, conveyors, material handling and other industrial machinery installed in damp, dusty or dirty environments.