



PE445TSC-150-4

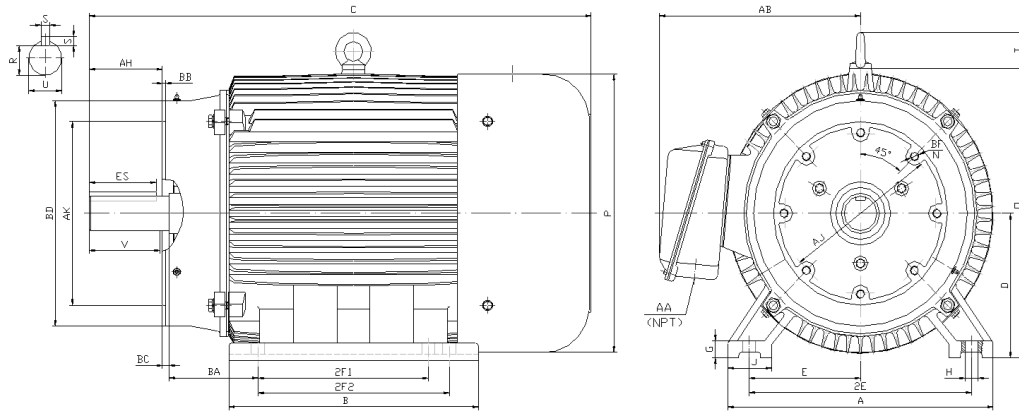
GENERAL PURPOSE ELECTRIC MOTOR

NEMA PREMIUM EFFICIENCY

TOTALLY ENCLOSED FAN COOLED - C-FLANGE WITH FEET

INVERTER DUTY 10:1 CT; 20:1 VT - NEMA MG1 PART 31

Factory Certified for T2B Class I, Division II, Groups A,B,C & D and Class II, Division II, Groups F & G



DIMENSIONS

HP	RPM	Frame	MOUNTING														
			A	B	C	D	G	H	J	E	2E	2F1	2F2	O	P	T	BA
150	1800	445TSC	21.7	22.9	40.6	11	1.35	0.81	3.35	9	18	14.5	16.5	23	23.4	3	7.5

FLANGE							Shaft Extension, Key Set						
AH	AJ	AK	BB	BC	BD	BF	U	V	R	S	ES	N-W	
4.5	14	16	0.25	0.25	18	8*5/8-11	2.375	4.5	2.021	0.625	3.03	NA	

Conduit Box		Bearings		Mount
AA	AB	DE	ODE	
3	19.9	6319	6318	F1

BEARING LUBRICATION: The bearings come lubricated with Mobil Polyrex EM Polyurea Grease. It is recommended that you add some additional lubrication when the motor is installed.

Three options (brands) for suitable lubrication include, but are not limited to, the following:

- 1.) Mobil Polyrex EM
- 2.) Citco Polyurea MP
- 3.) Conoco Phillips Polytac EP





PE445TSC-150-4

GENERAL PURPOSE ELECTRIC MOTOR

NEMA PREMIUM EFFICIENCY

TOTALLY ENCLOSED FAN COOLED - C-FLANGE WITH FEET

INVERTER DUTY 10:1 CT; 20:1 VT - NEMA MG1 PART 31

Factory Certified for T2B Class I, Division II, Groups A,B,C & D and Class II, Division II, Groups F & G

PERFORMANCE DATA

HP	RPM	Frame	Voltage	Frequency (Hz)	Full Load S.F.	Insulation Class	NEMA Design	Slip (%)	NEMA Code	Enclosure Type	IP Rating	Max. Ambient
150	1790	445TSC	460	60	1.15	F	B	0.6	G	TEFC	55	40 °C

Amps (460V)		Efficiency (%)			Power Factor			Torque (ft-lb)			DE Bearing	ODE Bearing	Connection	Weight (lbs.)
FLA	LRA	100%	75%	50%	100%	75%	50%	FLT	LRT %	BDT %				
171	1085	95.8	95.8	95.0	0.87	0.86	0.80	442.74	150	250	6319	6318	6 Lead Δ	1735

NAME PLATE

		AC INDUCTION MOTOR INVERTER DUTY 20:1 VT; 10:1 CT								CONNECTION DIAGRAMS													
CAT NO.		PE445TSC-150-4				FRAME		445TSC		PHASE		3		Across The Line 									
HZ		60		S.F.		1.15		HZ		50		S.F.		1.0		ENCL		TEFC		IP		55	
HP		150		RPM		1790		HP		150		RPM		1488		DUTY		CONT		DES		B	
VOLTS		460				VOLTS		380				AMB		40 °C		INS		F		PWS Start 			
AMPS		171				AMPS		203				DE BRG		6319				PWS Run 					
CODE		G		P.F.		0.87		CODE		F		P.F.		0.88		ODE BRG		6318					
EFF		95.8		MIN		95.0		EFF		93.5		MIN		92.7		LUB: Mobil Polyrex EM							
MOTOR WEIGHT		1735		LBS		CONNECTION				6 Lead Δ				SER NO									
General purpose use on industrial machinery installed in damp, dusty or dirty environments. Hernando, Mississippi												CC082A		C 272709									

APPLICATIONS:

General purpose use on pumps, fans, blowers, compressors, conveyors, material handling and other industrial machinery installed in damp, dusty or dirty environments.