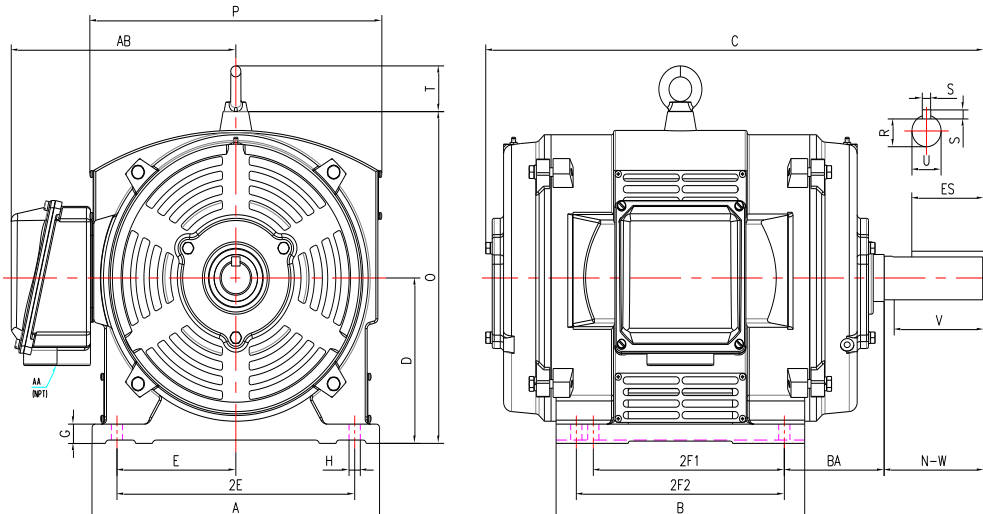




PE447T-250-4-ODP

GENERAL PURPOSE ELECTRIC MOTOR
NEMA PREMIUM EFFICIENCY
OPEN DRIP PROOF
CAST IRON CONSTRUCTION
INVERTER DUTY 10:1 CT; 20:1 VT - NEMA MG1 PART 31



DIMENSIONS

HP	RPM	Frame	MOUNTING														
			A	B	C	D	G	H	J	E	2E	2F1	2F2	O	P	T	BA
250	1800	447T	22.3	24	43	11	1.15	0.81	NA	9	18	NA	20	22.6	23.3	3	7.5

Shaft Extension, Key Set						Conduit Box		Bearings		Mount
U	V	R	S	ES	N-W	AA	AB	DE	ODE	
3.375	8.25	2.88	0.875	6.91	8.5	3	18.9	NU319	6318	F1

BEARING LUBRICATION: The bearings come lubricated with Mobil Polyrex EM Polyurea Grease. It is recommended that you add some additional lubrication when the motor is installed.

Three options (brands) for suitable lubrication include, but are not limited to, the following:

- 1.) Mobil Polyrex EM
- 2.) Citco Polyurea MP
- 3.) Conoco Phillips Polytac EP





PE447T-250-4-ODP

GENERAL PURPOSE ELECTRIC MOTOR
NEMA PREMIUM EFFICIENCY
OPEN DRIP PROOF
CAST IRON CONSTRUCTION
INVERTER DUTY 10:1 CT; 20:1 VT - NEMA MG1 PART 31

PERFORMANCE DATA

HP	RPM	Frame	Voltage	Frequency (Hz)	Full Load S.F.	Insulation Class	NEMA Design	Slip (%)	NEMA Code	Enclosure Type	IP Rating	Max. Ambient
250	1790	447T	460	60	1.15	F	B	0.6	G	ODP	23	40 °C

Amps (460V)		Efficiency (%)			Power Factor			Torque (ft-lb)			DE Bearing	ODE Bearing	Connection	Weight (lbs.)
FLA	LRA	100%	75%	50%	100%	75%	50%	FLT	LRT %	BDT %	NU319	6318	6 Lead Δ	1930
280	1825	95.8	96.0	95.3	0.87	0.86	0.80	737.8	140	250				

NAME PLATE

		AC INDUCTION MOTOR INVERTER DUTY 20:1 VT; 10:1 CT								CONNECTION DIAGRAMS													
CAT NO.		PE447T-250-4-ODP				FRAME		447T		PHASE		3											
HZ		60		S.F.		1.15		HZ		50		S.F.		1.0		ENCL		ODP		IP		23	
HP		250		RPM		1790		HP		250		RPM		1488		DUTY CONT		DES		B			
VOLTS		460		VOLTS		380		AMB		40 °C		INS		F									
AMPS		280		AMPS		342		DE BRG		NU319													
CODE		G		P.F.		0.87		CODE		D		P.F.		0.87		ODE BRG		6318					
EFF		95.8		MIN		95.0		EFF		95.0		MIN		94.2		LUB:		Mobil Polyrex EM					
MOTOR WEIGHT		1930		LBS		CONNECTION		6 Lead Δ		SER NO													
General purpose use on industrial machinery installed in environments with minimal dirt and moisture. Hernando, Mississippi								CC082A															
Across The Line 						PWS Start 						PWS Run 											

APPLICATIONS:

General purpose use on pumps, fans, blowers, compressors, conveyors, material handling and other industrial machinery installed in environments with minimal dirt and moisture.