



PE447TC-200-4

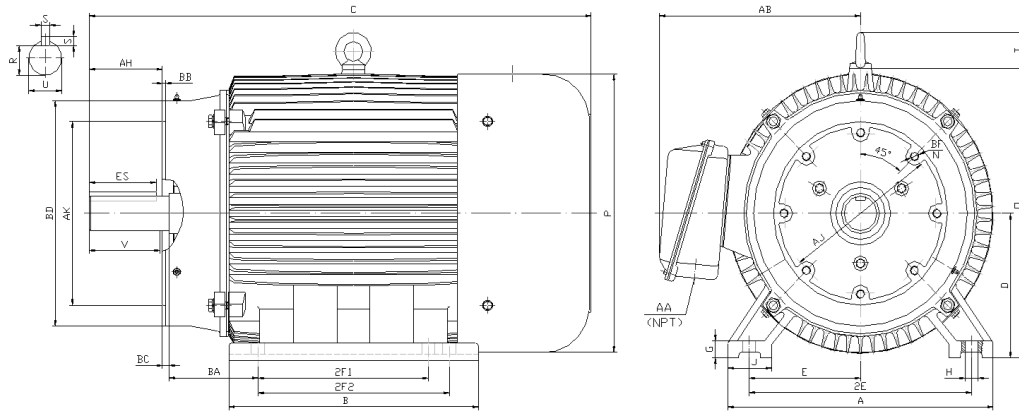
GENERAL PURPOSE ELECTRIC MOTOR

NEMA PREMIUM EFFICIENCY

TOTALLY ENCLOSED FAN COOLED - C-FLANGE WITH FEET

INVERTER DUTY 10:1 CT; 20:1 VT - NEMA MG1 PART 31

Factory Certified for T2B Class I, Division II, Groups A,B,C & D and Class II, Division II, Groups F & G



DIMENSIONS

HP	RPM	Frame	MOUNTING														
			A	B	C	D	G	H	J	E	2E	2F1	2F2	O	P	T	BA
200	1800	447TC	21.7	26.4	47.8	11	1.35	0.81	3.35	9	18	16.5	20	23	23.4	3	7.5

FLANGE							Shaft Extension, Key Set						
AH	AJ	AK	BB	BC	BD	BF	U	V	R	S	ES	N-W	
8.25	14	16	0.25	0.25	18	8*5/8-11	3.375	8.25	2.88	0.875	6.91	NA	

Conduit Box		Bearings		Mount
AA	AB	DE	ODE	
3	19.9	6319	6318	F1

BEARING LUBRICATION: The bearings come lubricated with Mobil Polyrex EM Polyurea Grease. It is recommended that you add some additional lubrication when the motor is installed.

Three options (brands) for suitable lubrication include, but are not limited to, the following:

- 1.) Mobil Polyrex EM
- 2.) Citco Polyurea MP
- 3.) Conoco Phillips Polytac EP





PE447TC-200-4

**GENERAL PURPOSE ELECTRIC MOTOR
 NEMA PREMIUM EFFICIENCY
 TOTALLY ENCLOSED FAN COOLED - C-FLANGE WITH FEET
 INVERTER DUTY 10:1 CT; 20:1 VT - NEMA MG1 PART 31
 Factory Certified for T2B Class I, Division II, Groups A,B,C & D and Class II, Division II, Groups F & G**

PERFORMANCE DATA

HP	RPM	Frame	Voltage	Frequency (Hz)	Full Load S.F.	Insulation Class	NEMA Design	Slip (%)	NEMA Code	Enclosure Type	IP Rating	Max. Ambient
200	1790	447TC	460	60	1.15	F	B	0.6	G	TEFC	55	40 °C

Amps (460V)		Efficiency (%)			Power Factor			Torque (ft-lb)			DE Bearing	ODE Bearing	Connection	Weight (lbs.)
FLA	LRA	100%	75%	50%	100%	75%	50%	FLT	LRT %	BDT %				
220	1450	96.2	96.0	95.3	0.87	0.86	0.80	590.25	145	240	6319	6318	6 Lead Δ	1942

NAME PLATE

		AC INDUCTION MOTOR INVERTER DUTY 20:1 VT; 10:1 CT								CONNECTION DIAGRAMS							
CAT NO.		PE447TC-200-4				FRAME		447TC		PHASE		3		Across The Line 			
HZ	60	S.F.	1.15	HZ	50	S.F.	1.0	ENCL	TEFC	IP	55		PWS Start 				
HP	200	RPM	1790	HP	200	RPM	1488	DUTY	CONT	DES	B		PWS Run 				
VOLTS		460		VOLTS		380		AMB	40 °C		INS		F				
AMPS		220		AMPS		270		DE BRG		6319							
CODE	G	P.F.	0.87	CODE	F	P.F.	0.88	ODE BRG		6318							
EFF	96.2	MIN	95.4	EFF	95.0	MIN	94.2	LUB:		Mobil Polyrex EM							
MOTOR WEIGHT		1942 LBS		CONNECTION		6 Lead Δ		SER NO									
General purpose use on industrial machinery installed in damp, dusty or dirty environments. Hernando, Mississippi										CC082A							

APPLICATIONS:

General purpose use on pumps, fans, blowers, compressors, conveyors, material handling and other industrial machinery installed in damp, dusty or dirty environments.